

DUBLIN

Installation guidelines
Ref # 17206191

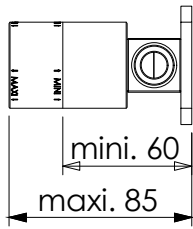
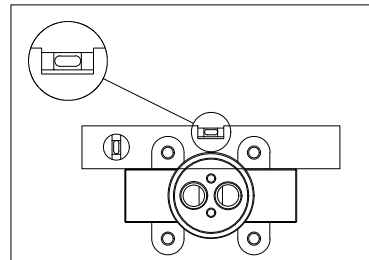
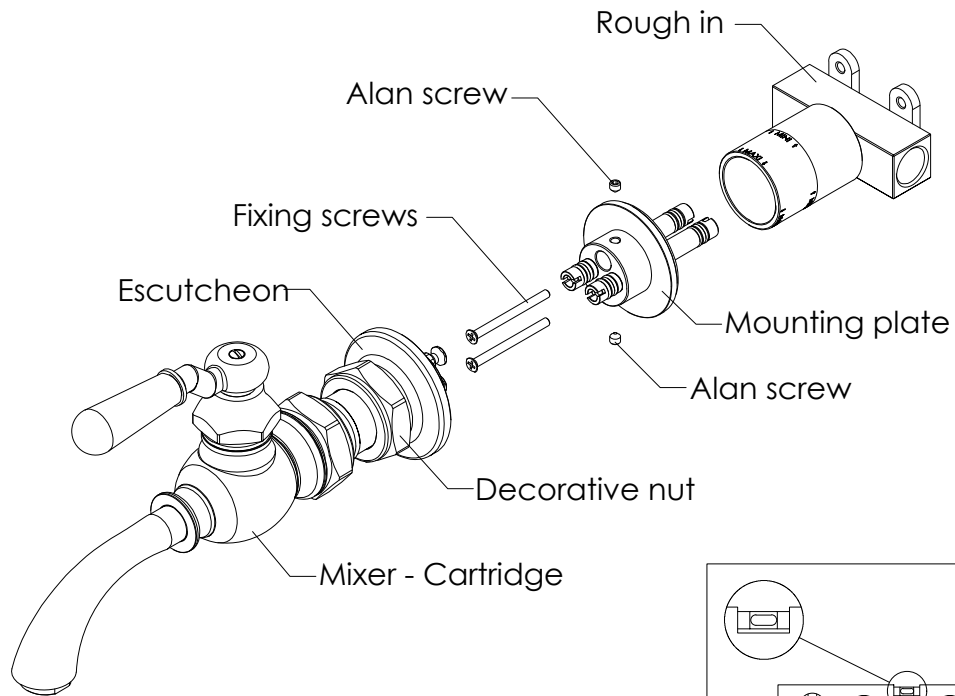


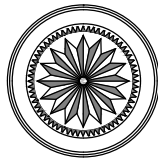
Fig. 1

Rough in side view



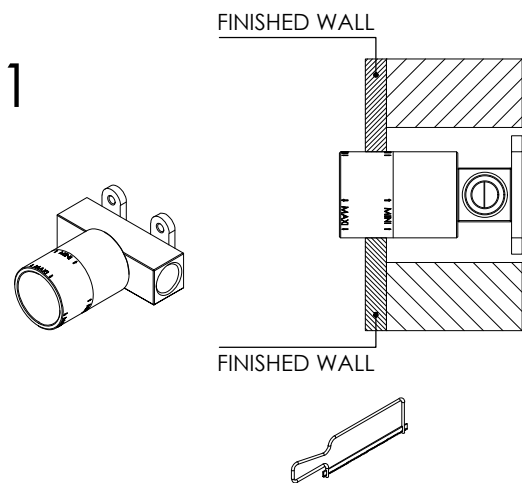
Ensure rough in is
horizontally level

Fig. 2

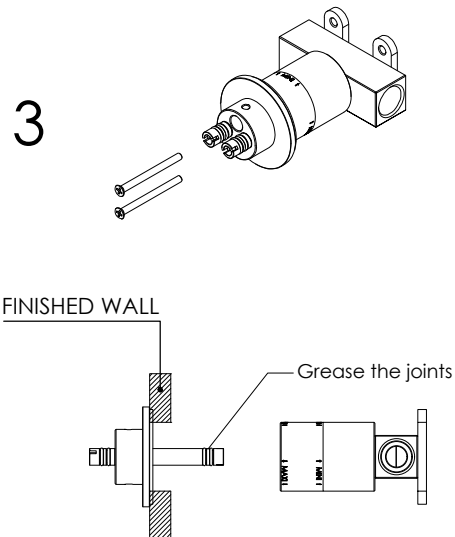


DUBLIN

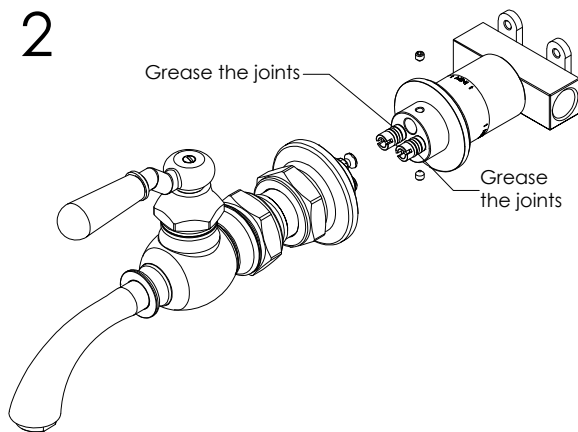
Installation guidelines Ref # 17206191



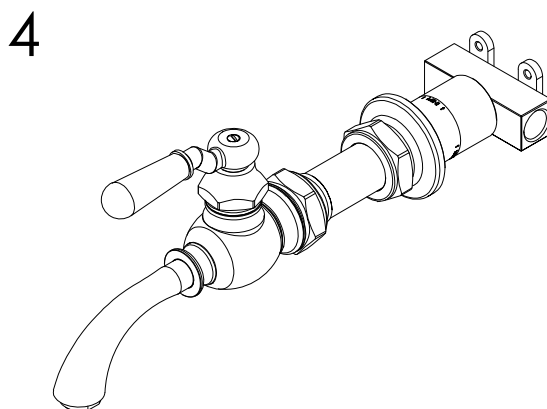
- Install the rough in and its protective tube in the wall to the recommended depth (Fig. 1).
Check the horizontal level (Fig. 2)



- Install the mounting plate on the wall and lock with screws provided. Do not overtighten.



- Place the mixer tap on the mounting plate and lock it in place with 2 alan screws.



- Slide the rosette and the decorative nut against the wall.

Dear customer, with each product we provide the stainless steel quality screws for fastening.
We leave it up to you to choose the dowels adapted to your medium