

ELEGANCE

Internal thermostatic shower trim with Elegance options & valve - 3/4" NPT
 Thermostatique avec poignée Elegance et soupape - 3/4" NPT
 Ref: #06001385

ELEGANCE
Handle Options:

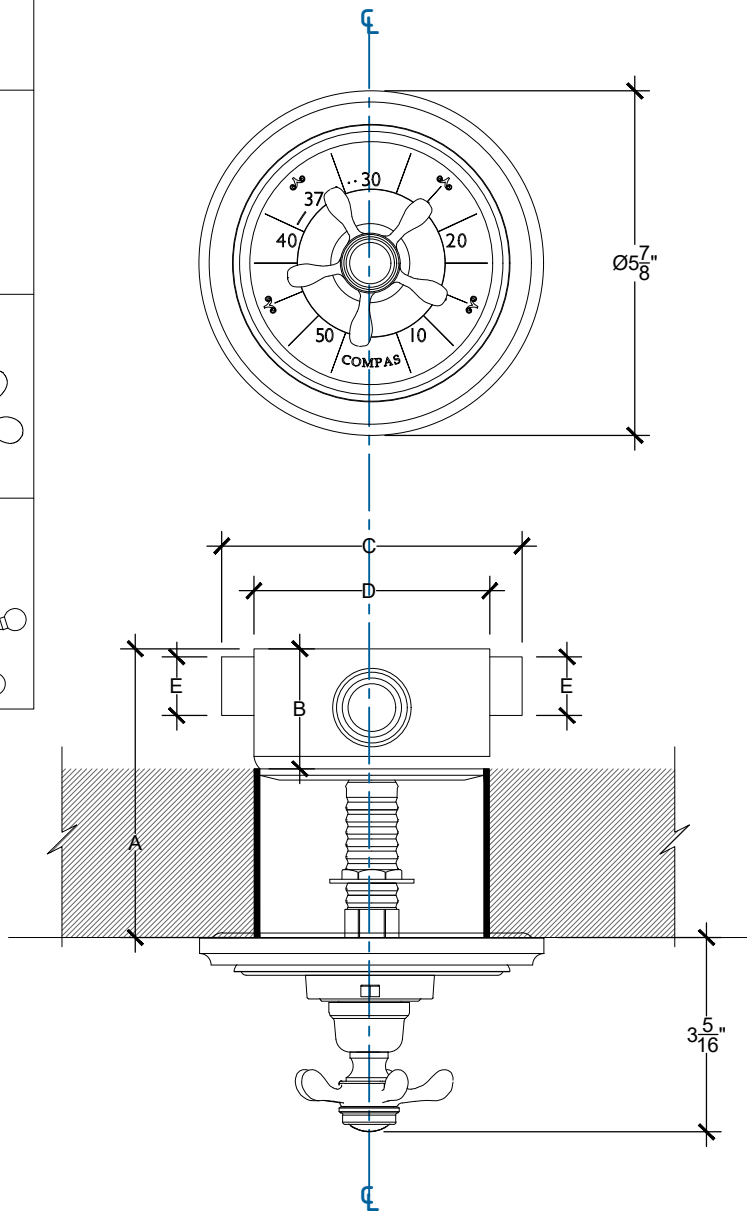
CLASSIQUE
Ref # 6006385

RETRO
Ref # 59006385

MARINE
Ref # 38006385

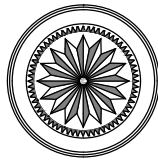
THERMO	
A min	2 1/4"
A max	4 1/2"
B	2 1/8"
C	4 3/4"
D	3 3/4"
E	3/4"
F	4 3/4"

PRESSURE	
* OPERATING PSI	
RECOMMENDED PSI = 58	
MIN. 15 PSI / MAX 145 PSI	



Copyright © Compas 2010 www.compasstone.com





IN - WALL THERMOSTATIC SYSTEM

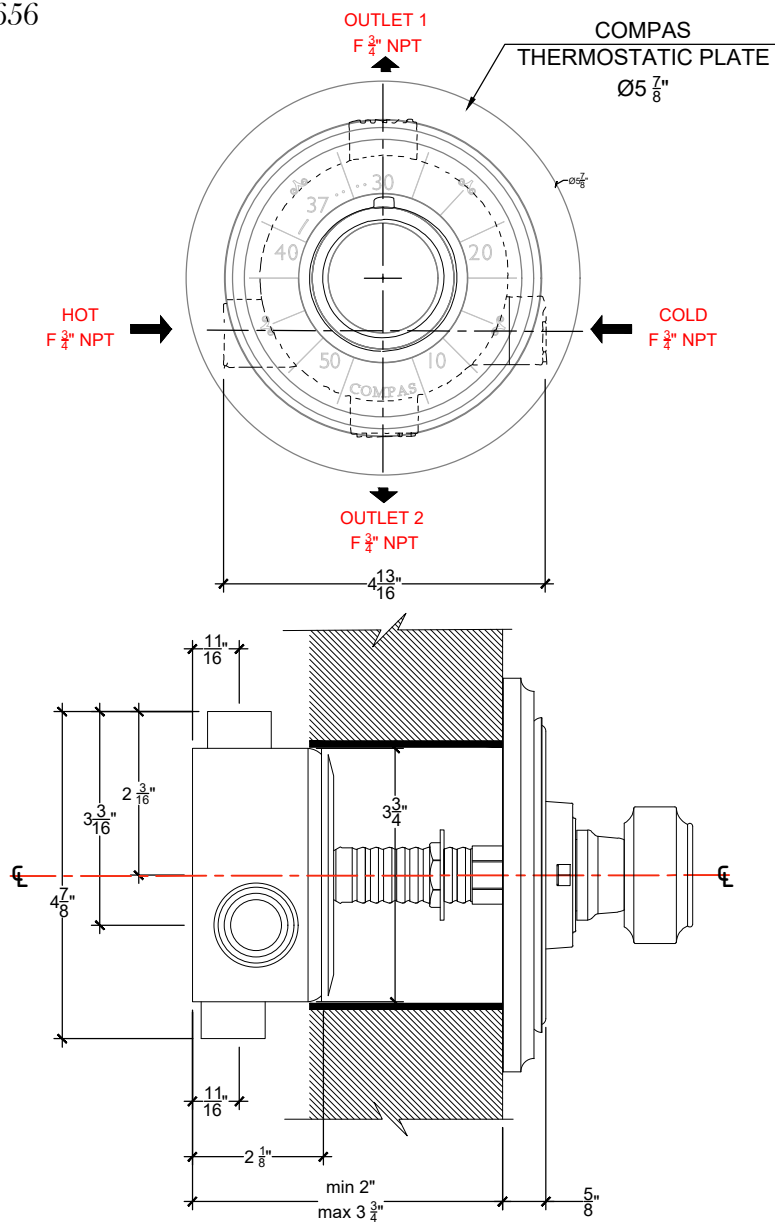
Standard In-wall thermostatic technical specs - 3/4" NPT

Anti - Scalding configuration system integrated

Mitigeur thermostatique a encastrer - 3/4" NPT

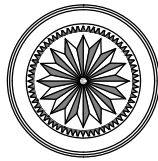
Weight: 3.75 lbs

Style # 0006656



Copyright © Compas 2010 www.compasstone.com

 COMPAS™



IN - WALL THERMOSTATIC SYSTEM

In-Wall Mounted European Shower Thermostat with cartridge - 3/4" NPT
Anti-Scalding configuration system integrated
Cartouche thermostatique avec système anti-brulûre intégré - 3/4" NPT
Style # 0006656

FLOWS UNDER 3 BAR DYNAMIC



PRESSURE

* OPERATING PSI

RECOMMENDED PSI = 58

MIN. 15 PSI / MAX 145 PSI

DEBIT in G/min

Unrestricted flow
20 G/min @ 60 PSI

Metric size available upon request.

Copyright © Compass 2010 www.compassstone.com

 COMPAS™