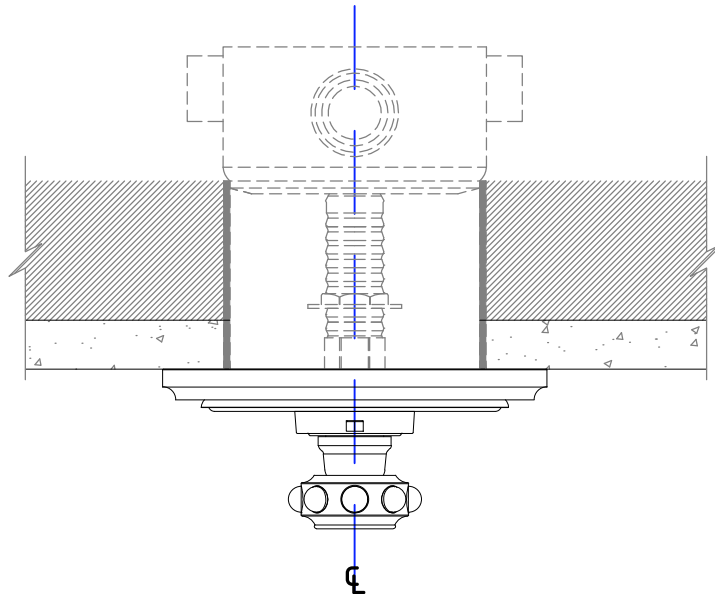
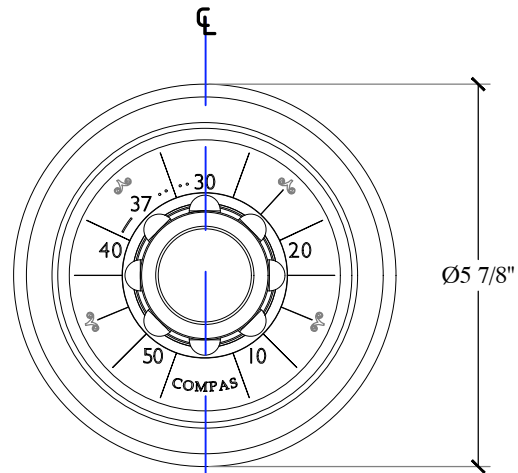




XL - PEARL

Internal thermostatic shower trim 3/4" NPT
Facade thermostatique murale et section du meme
Ref # 06201385



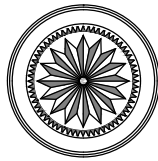
THERMO	
A min	2 1/4"
A max	4 1/2"
B	2 1/8"
C	4 3/4"
D	3 3/4"
E	3/4"
F	4 3/4"

PRESSURE

* OPERATING PSI

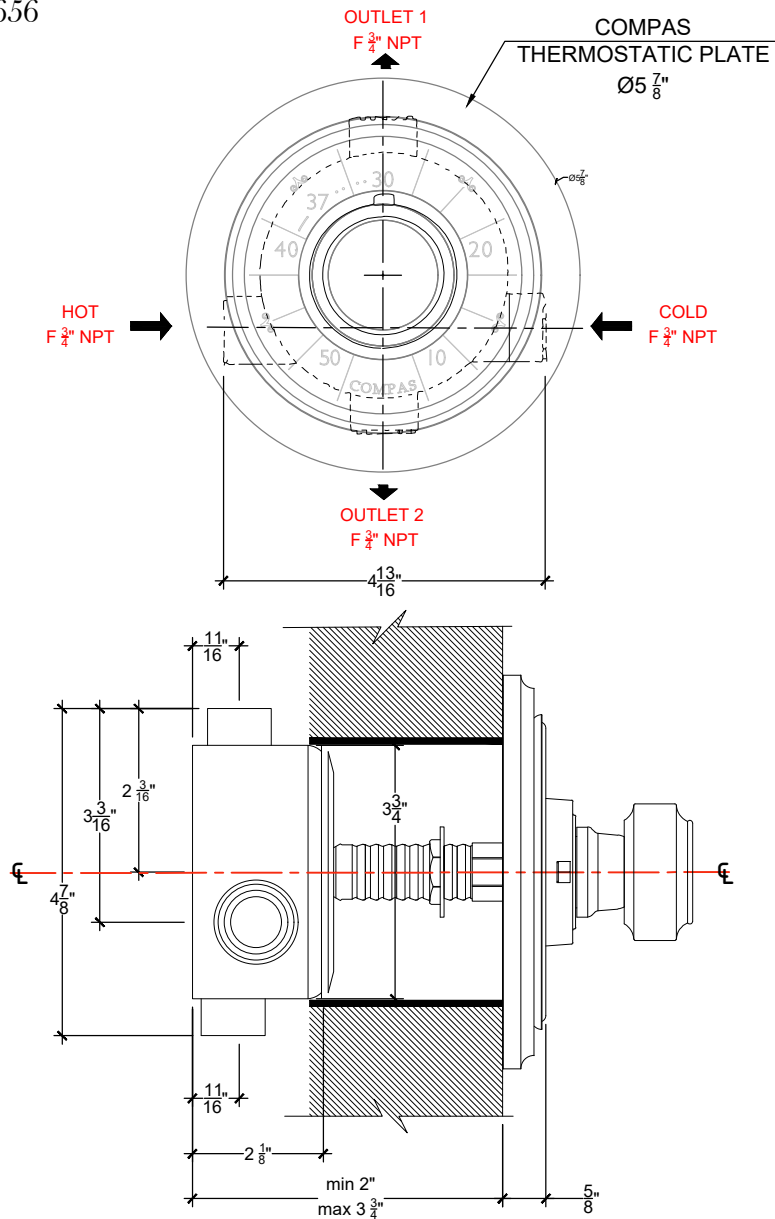
RECOMMENDED PSI = 58

MIN. 15 PSI / MAX 145 PSI



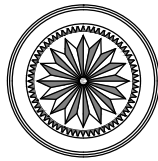
IN - WALL THERMOSTATIC SYSTEM

Standard In-wall thermostatic technical specs F $\frac{3}{4}$ " NPT
Anti - Scalding configuration system integrated
Mitigeur thermostatique a escaster - F $\frac{3}{4}$ " NPT
Weight: 3.75 lbs
Style # 0006656



Copyright © Compas 2010 www.compasstone.com



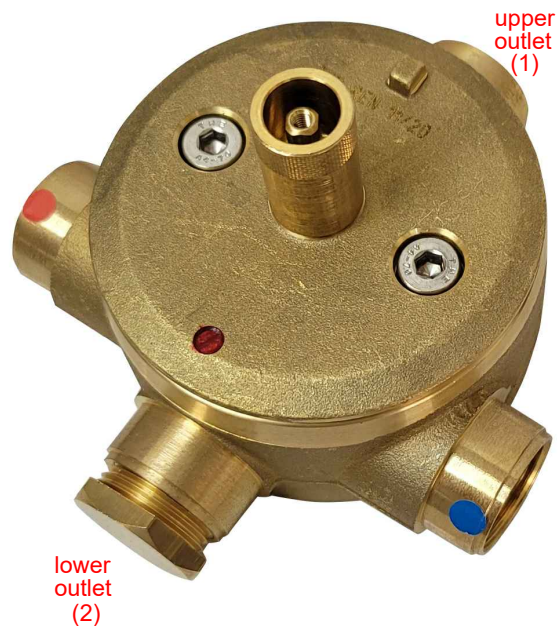


IN - WALL THERMOSTATIC SYSTEM

In-Wall Mounted European Shower Thermostatic with cartridge - F 3/4" NPT
Anti - Scalding configuration system integrated
Style # 0006656

FLOWS UNDER 3 BAR DYNAMIC

M o d e l	8280	
	upper outlet (1)	lower outlet (2)
Flow l/min	80	60
Flow l/sec	1,33	1



PRESSURE

* OPERATING PSI

RECOMMENDED PSI = 58

MIN. 15 PSI / MAX 145 PSI

DEBIT in G/min

20 G/min@ 3 BAR

Copyright © Compas 2010 www.compasstone.com

 COMPAS™