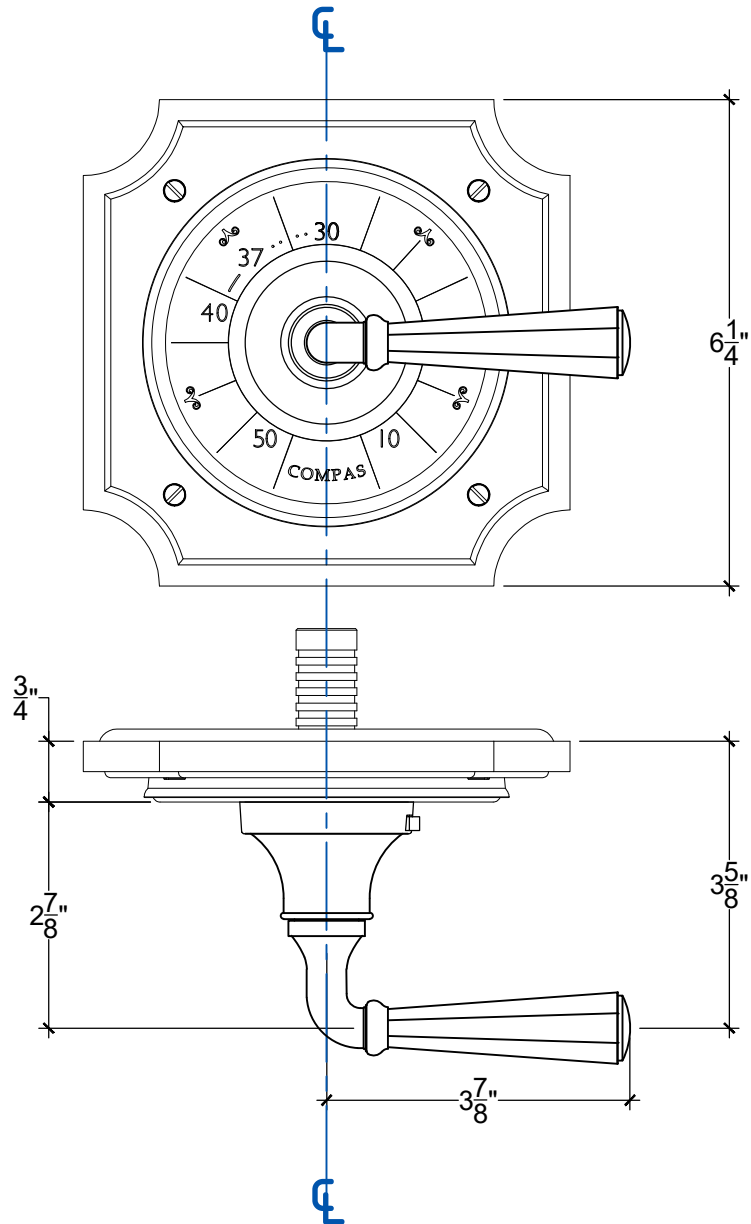




# MONTECITO

## INTERNAL THERMOSTATIC TRIM

Internal thermostatic trim with Montecito lever handle 3/4" NPT  
Plaque thermostatique encastrée, avec poignée à levier Montecito 3/4" NPT  
Ref # 17301385 - 925

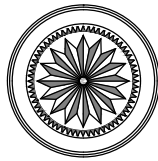


Copyright © Compas 2010 www.compasstone.com

THERMO	
A min	2 1/4"
A max	4 1/2"
B	2 1/8"
C	4 3/4"
D	3 3/4"
E	3/4"
F	4 3/4"

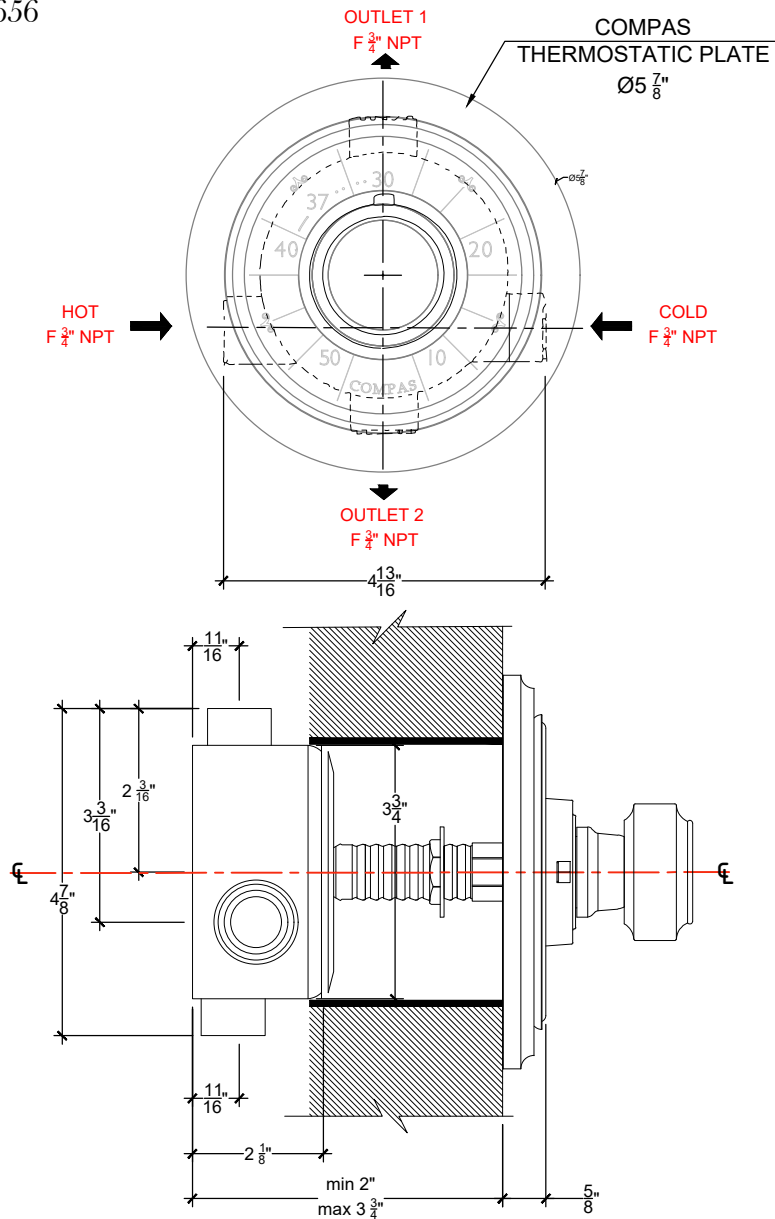
**PRESSURE**  
\* OPERATING PSI  
RECOMMENDED PSI = 58  
MIN. 15 PSI / MAX 145 PSI





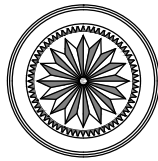
# IN - WALL THERMOSTATIC SYSTEM

Standard In-wall thermostatic technical specs F  $\frac{3}{4}$ " NPT  
Anti - Scalding configuration system integrated  
Mitigeur thermostatique a escaster - F  $\frac{3}{4}$ " NPT  
Weight: 3.75 lbs  
Style # 0006656



Copyright © Compas 2010 www.compasstone.com

 COMPAS™

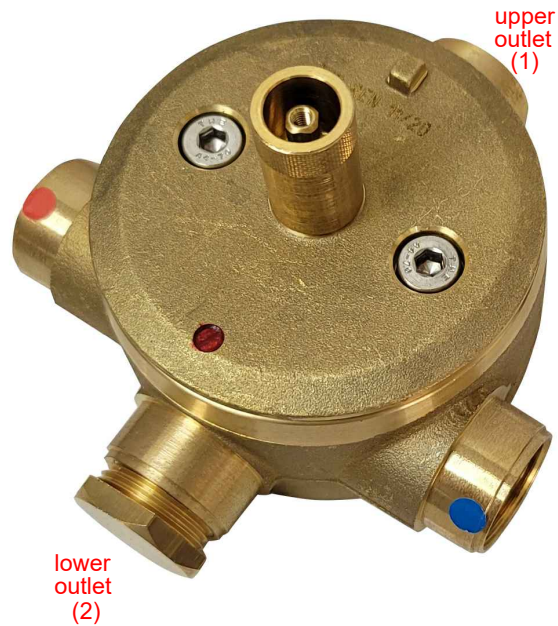


# IN - WALL THERMOSTATIC SYSTEM

In-Wall Mounted European Shower Thermostatic with cartridge - F 3/4" NPT  
Anti - Scalding configuration system integrated  
Style # 0006656

## FLOWS UNDER 3 BAR DYNAMIC

M o d e l	8280	
	upper outlet (1)	lower outlet (2)
Flow l/min	80	60
Flow l/sec	1,33	1



### PRESSURE

\* OPERATING PSI

RECOMMENDED PSI = 58

MIN. 15 PSI / MAX 145 PSI

### DEBIT in G/min

20 G/min@ 3 BAR

Copyright © Compas 2010 www.compasstone.com

 COMPAS™