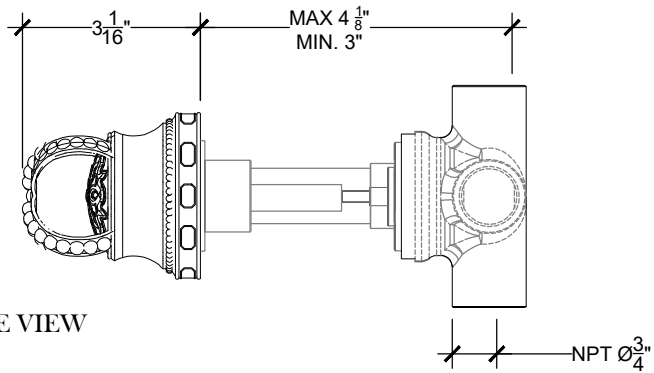


MARGOT

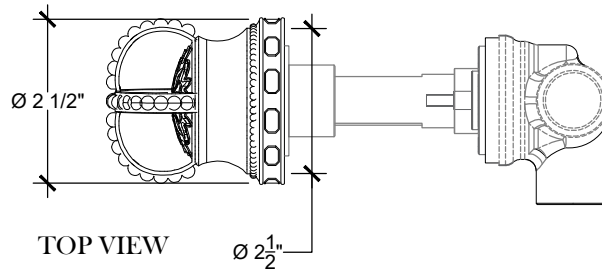
Wall mounted Margot 2-Way Diverter - 3/4 NPT
Facade d'inderseur
Ref # 012006602



FRONT VIEW



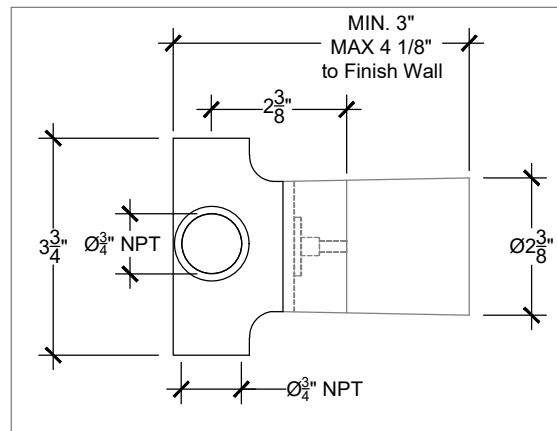
SIDE VIEW



TOP VIEW

NOTE
2 way diverter must be used in combination
with a valve that has a volume control
(ON | OFF) position.

1 way water supply
2 way out supplies to other components



Copyright © Compas 2010 www.compassstone.com

 COMPAS™