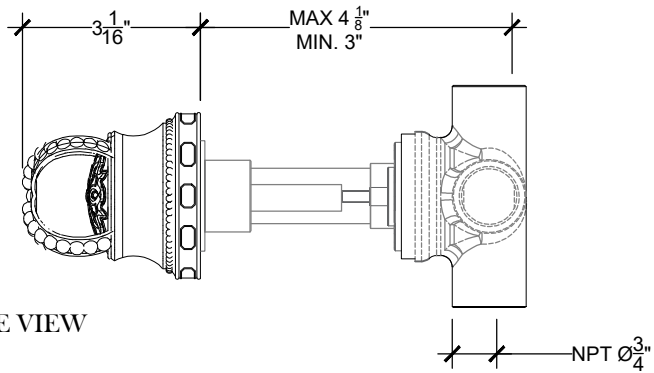


# MARGOT

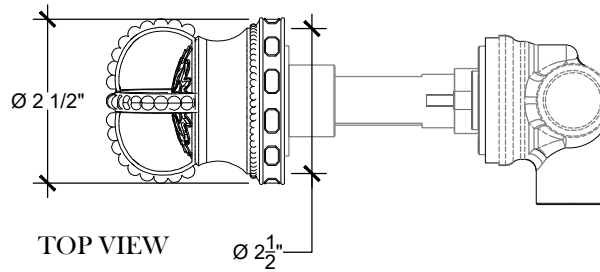
Wall mounted Margot handle with 2-Ways Diverter - 3/4 NPT  
Montage mural - Levier "Margot", inverseur 2 voies - 3/4" NPT  
Ref # 12006602



FRONT VIEW



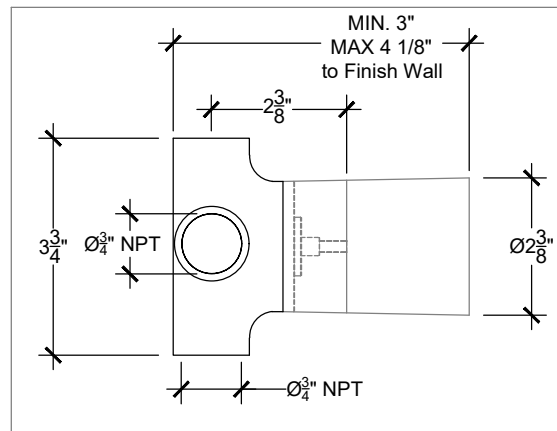
SIDE VIEW



TOP VIEW

**NOTE**  
2 ways diverter must be used in  
combination with a valve that has a volume  
control  
( ON | OFF ) position.

1 way water supply  
2 way out supplies to other components



Copyright © Compas 2010 www.compassstone.com

 COMPAS™

REVISED 01-03-2022