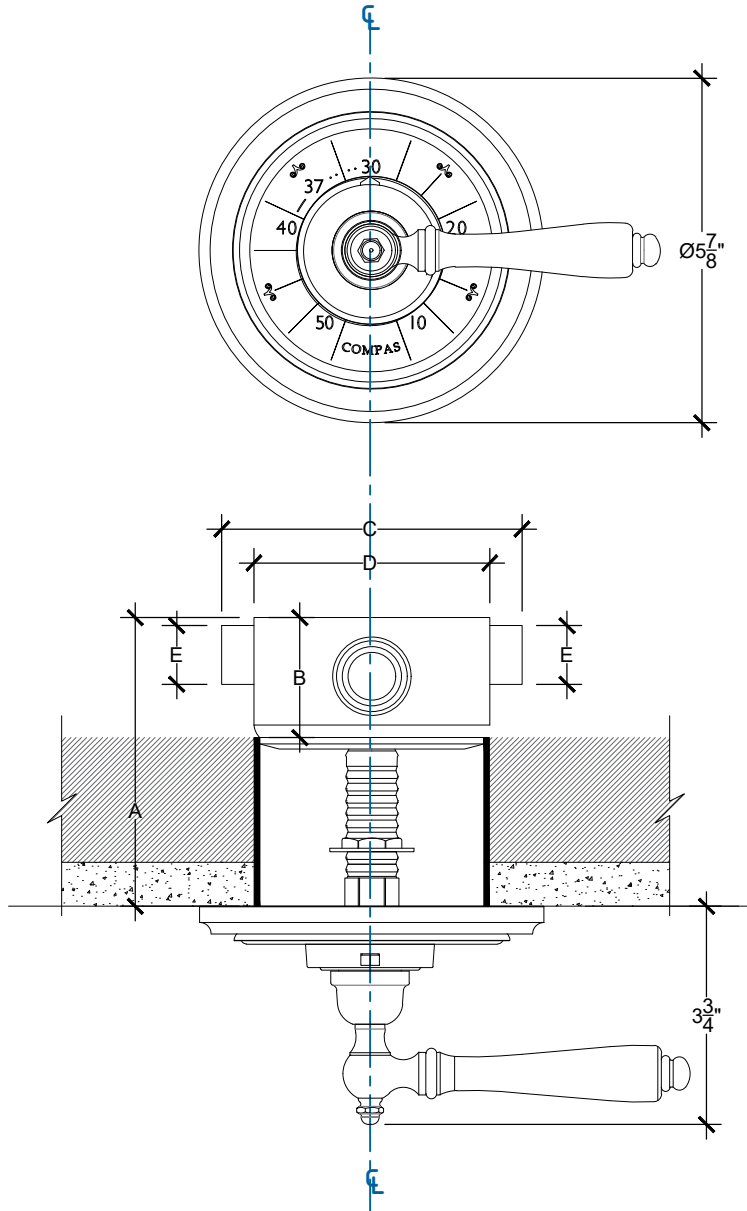


# MANETTE

Internal thermostatic shower trim with Manette Lever & Valve - 3/4"  
Facade thermostatique murale et section du meme  
Ref # 07406385



THERMO	
A min	2 1/4"
A max	4 1/2"
B	2 1/8"
C	4 3/4"
D	3 3/4"
E	3/4"
F	4 3/4"

#### PRESSURE

\* OPERATING PSI

**RECOMMENDED PSI = 58**

MIN. 15 PSI / MAX 145 PSI

Copyright © Compas 2010 www.compasstone.com

 **COMPAS™**