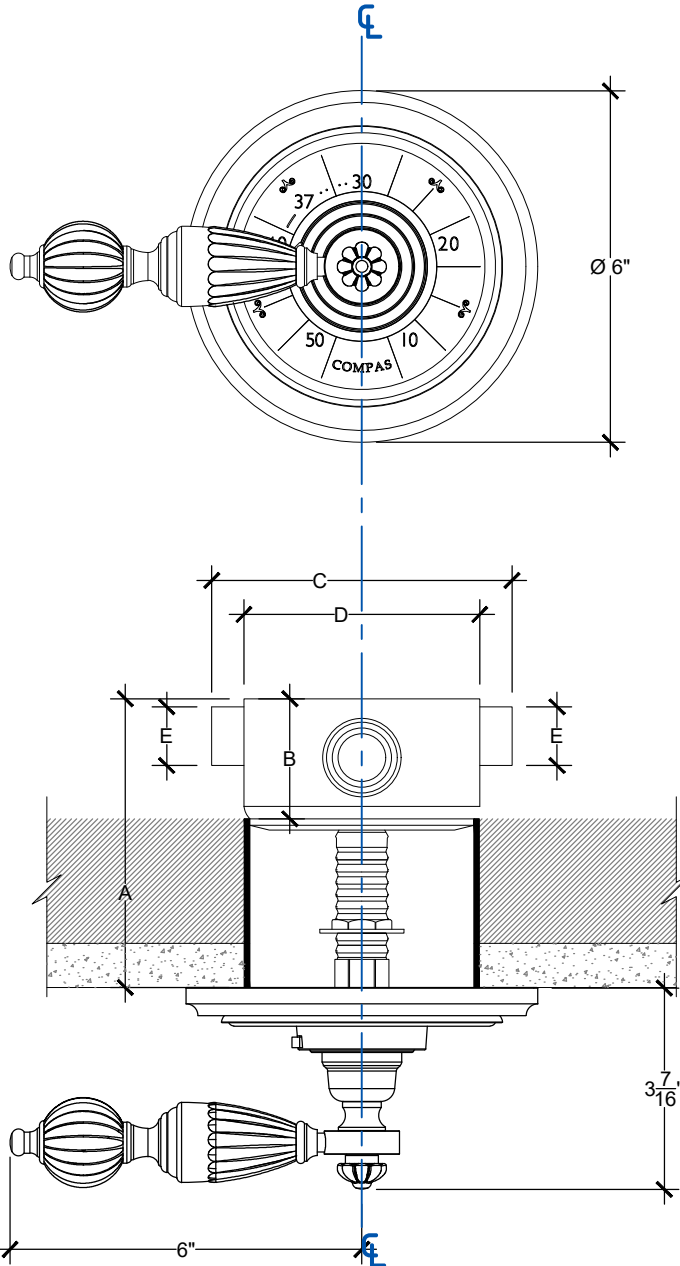




GOLDRONED

Internal thremostatic shower trim with Goldroned lever 3/4" NPT
Facade thermostatique murale 3/4" NPT
Ref # 011906385



THERMO	
A min	2 1/4"
A max	4 1/2"
B	2 1/8"
C	4 3/4"
D	3 3/4"
E	3/4"
F	4 3/4"

PRESSURE	
* OPERATING PSI	
RECOMMENDED PSI =	58
MIN. 15 PSI / MAX 145 PSI	

Copyright © Compas 2010 www.compasstone.com

