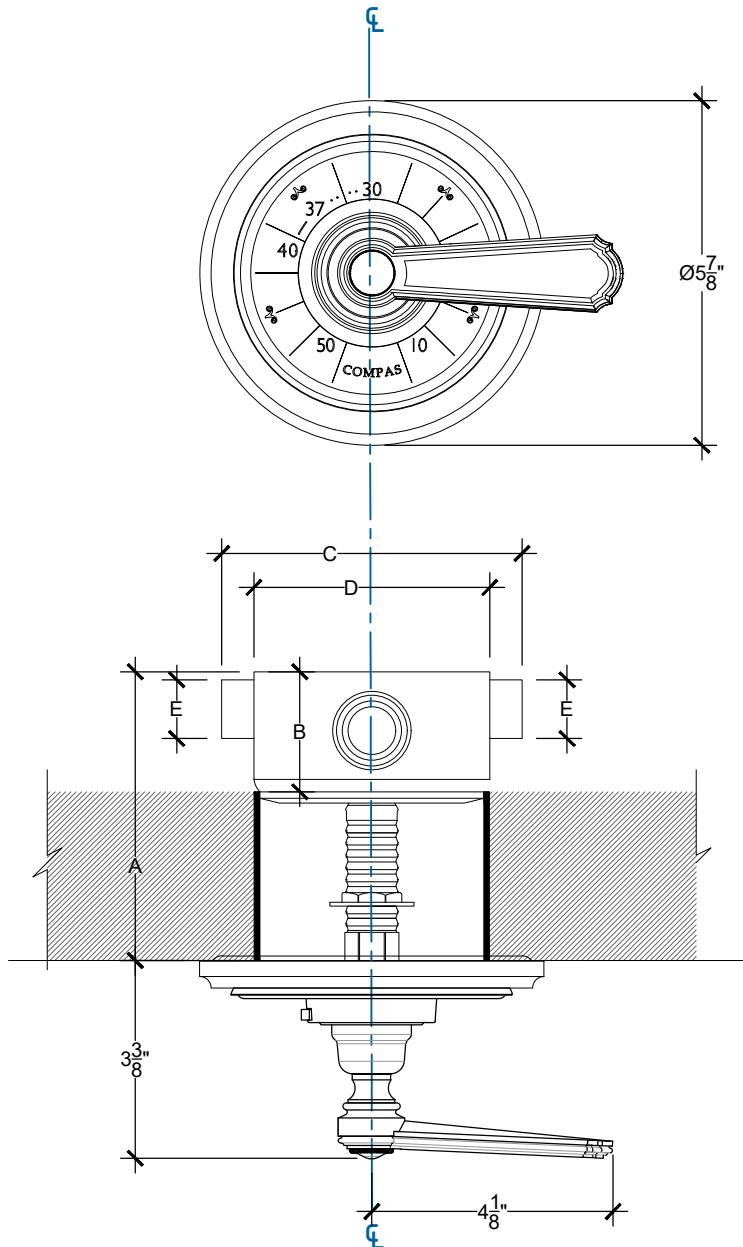


VILLA

Internal Thermostatic Shower Trim with Villa lever valve - 3/4" NPT
Thermostatique avec poignée Villa et soupape - 3/4" NPT
Ref # 09506385



THERMO	
A min	2 1/4"
A max	4 1/2"
B	2 1/8"
C	4 3/4"
D	3 3/4"
E	3/4"
F	4 3/4"

PRESSURE

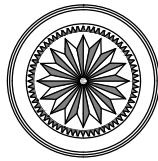
* OPERATING PSI

RECOMMENDED PSI = 58

MIN. 15 PSI / MAX 145 PSI

Copyright © Compas 2010 www.compasstone.com

 COMPAS™



IN - WALL THERMOSTATIC SYSTEM

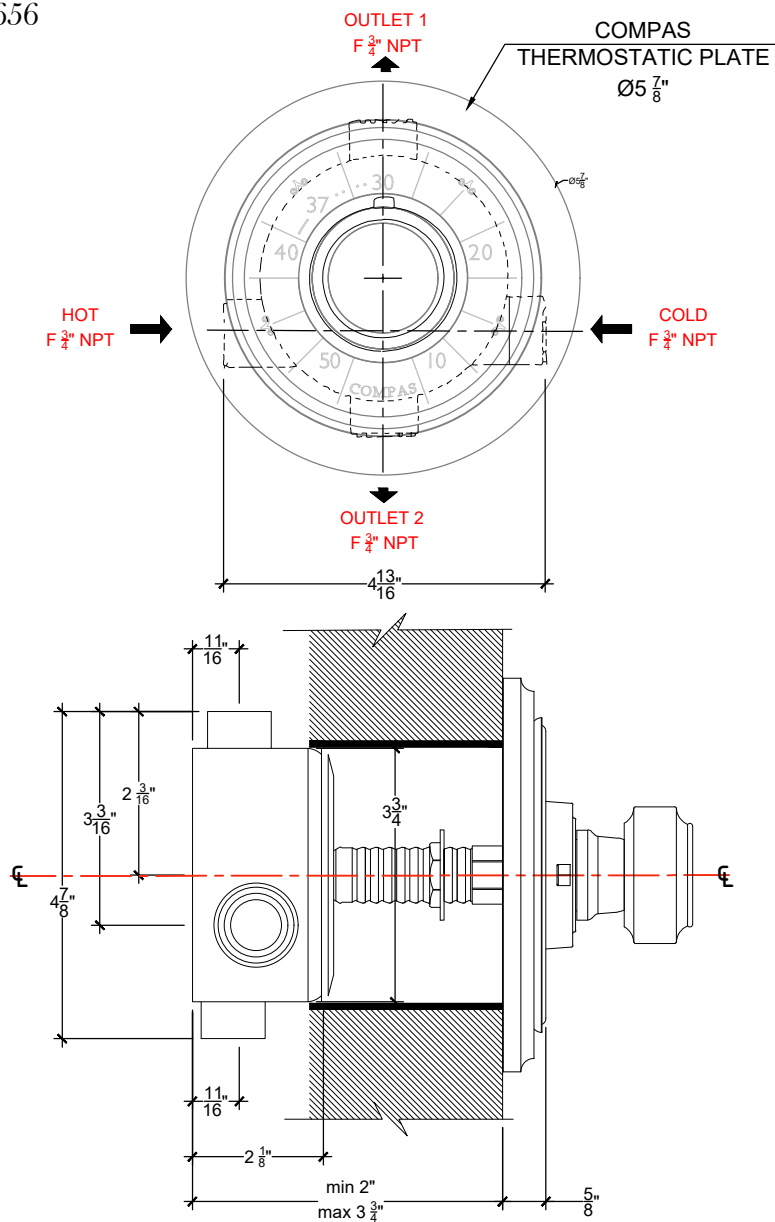
Standard In-wall thermostatic technical specs - 3/4" NPT

Anti - Scalding configuration system integrated

Mitigeur thermostatique a encastrer - 3/4" NPT

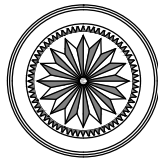
Weight: 3.75 lbs

Style # 0006656



Copyright © Compas 2010 www.compasstone.com

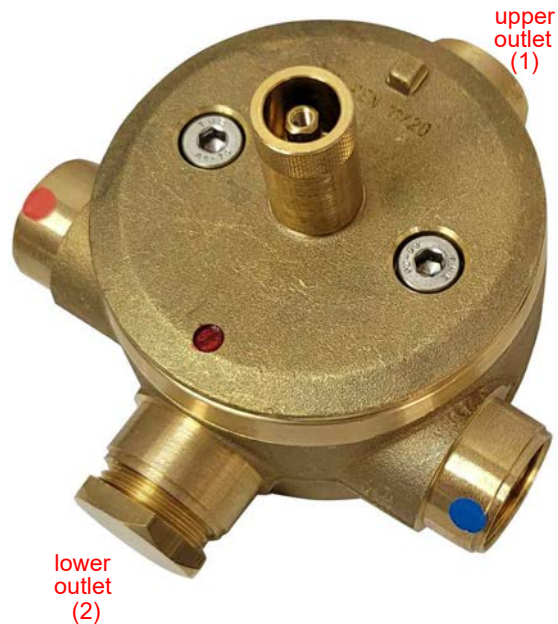




IN - WALL THERMOSTATIC SYSTEM

In-Wall Mounted European Shower Thermostat with cartridge - 3/4" NPT
Anti-Scalding configuration system integrated
Cartouche thermostatique avec système anti-brulûre intégré - 3/4" NPT
Style # 0006656

FLOWS UNDER 3 BAR DYNAMIC



PRESSURE

* OPERATING PSI

RECOMMENDED PSI = 58

MIN. 15 PSI / MAX 145 PSI

DEBIT in G/min

Unrestricted flow
20 G/min @ 60 PSI

Metric size available upon request.

Copyright © Compass 2010 www.compassstone.com

 COMPAS™