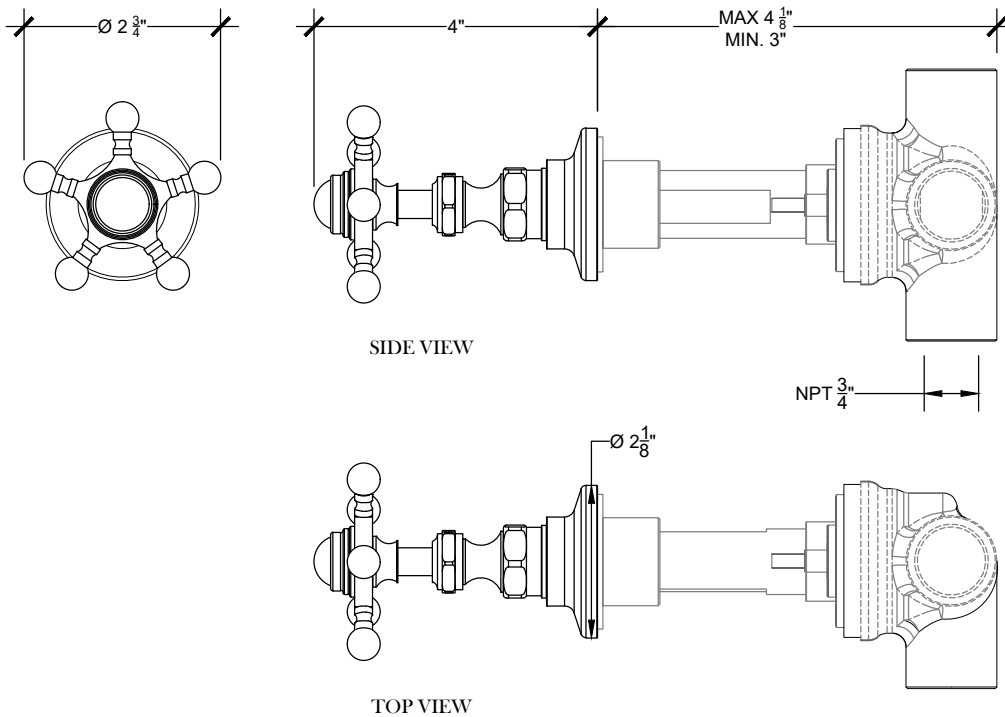




MARINE 3/4"

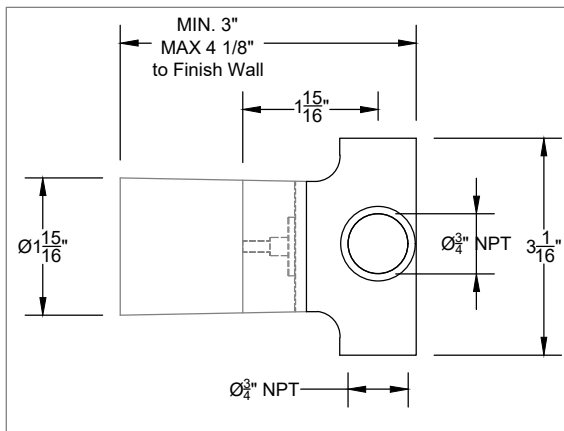
2 WAY DIVERTER

Wall mounted 2-Way Diverter - 3/4" NPT
Facade d'inverseur - 3/4" NPT
Ref # 38006602



NOTE
2 way diverter must be used in combination
with a valve that has a volume control
(ON | OFF) position.

1 way water supply
2 way out supplies to other components



Copyright © Compass 2010 www.compassstone.com

 **COMPAS**[™]

Product Support + 310 854 3023

REVISED 03-17-2022