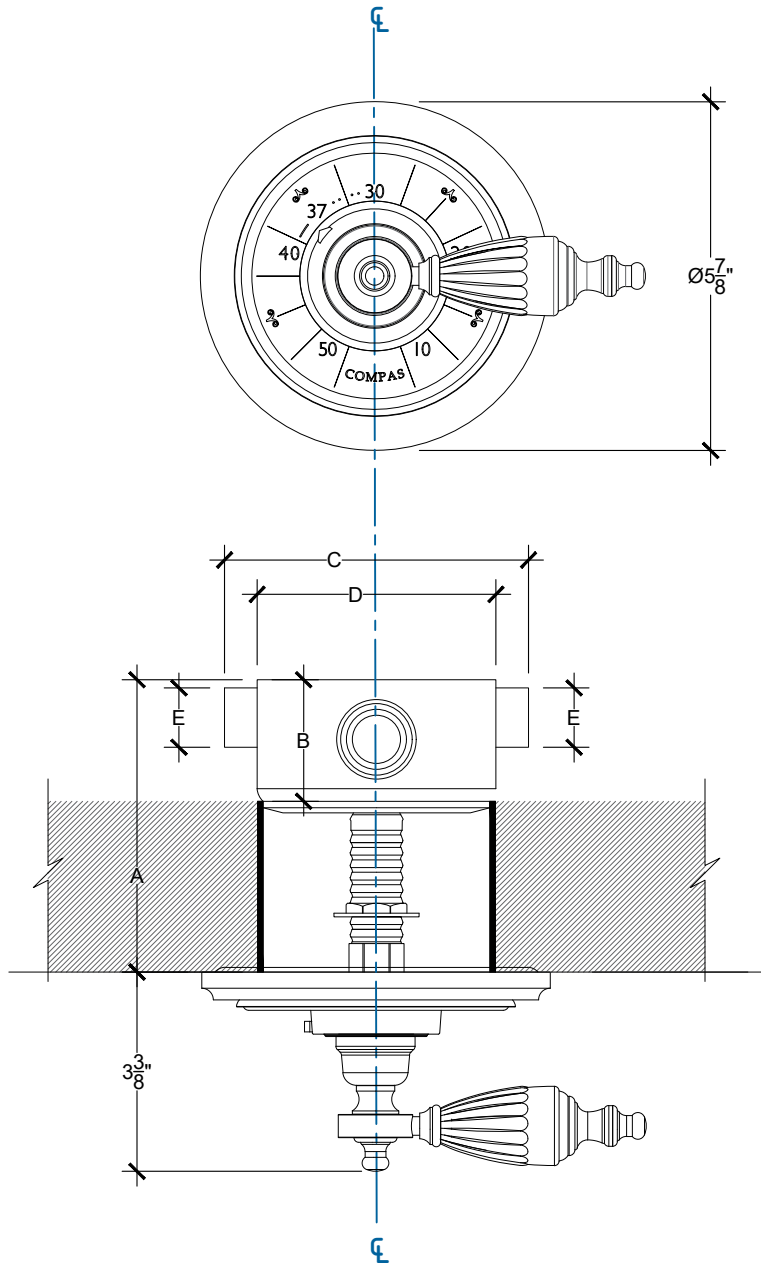


GOLDRON

Internal Thermostatic Shower Trim with Goldron Short Lever & valve - 3/4" NPT
Facade Thermostatique Murale et Section du meme
Ref # 011901385



THERMO	
A min	2 1/4"
A max	4 1/2"
B	2 1/8"
C	4 3/4"
D	3 3/4"
E	3/4"
F	4 3/4"

PRESSURE	
* OPERATING PSI	
RECOMMENDED PSI = 58	
MIN. 15 PSI / MAX 145 PSI	

Copyright © Compas 2010 www.compasstone.com



Product Support +1 310 854 3023

03-05-20

Technical Drawings are subject to change at Compas' discretion.