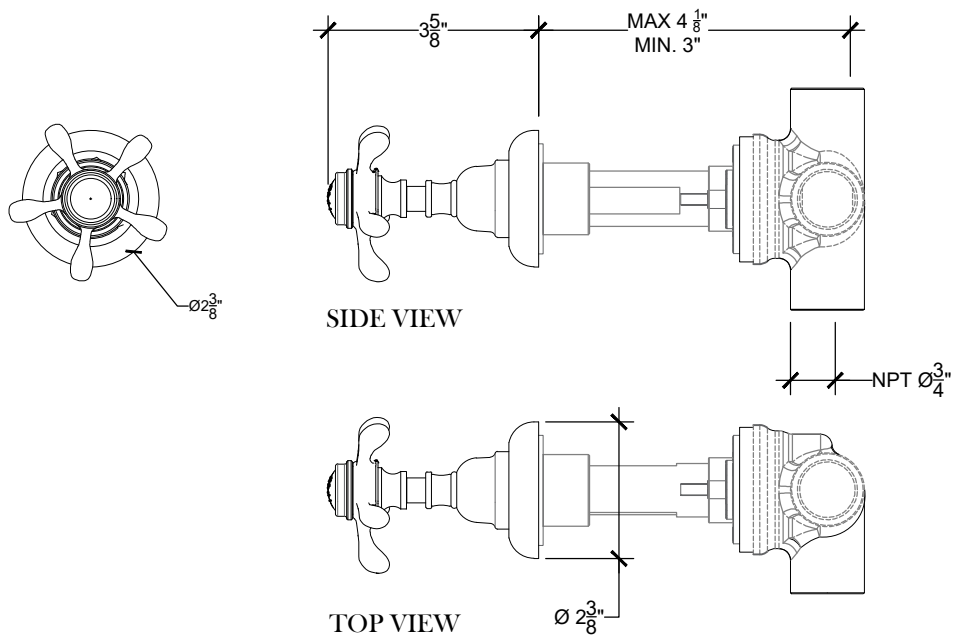


CLASSIQUE 3/4"

2 WAY DIVERTER

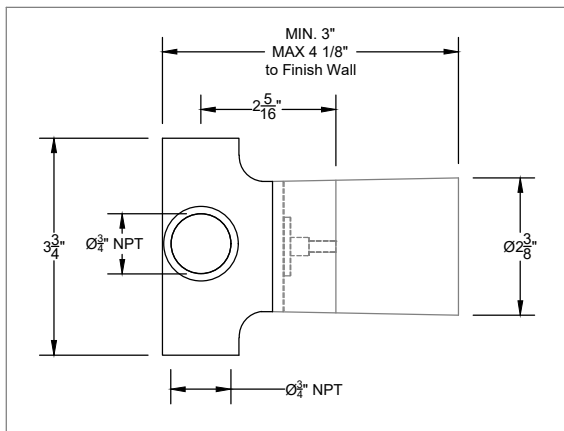
Wall mounted 2-way diverter - 3/4" NPT
Facade d'inverseur - 3/4" NPT
Ref # 6006602



Copyright © Compass 2010 www.compassstone.com

NOTE
2 way diverter must be used in combination
with a valve that has a volume control
(ON | OFF) position.

1 way water supply
2 way out supplies to other components



 COMPAS™