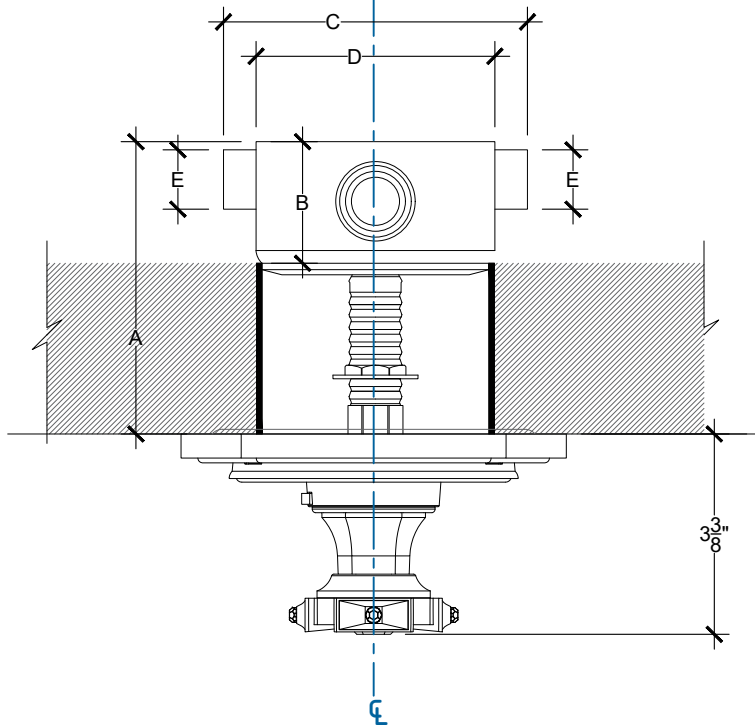
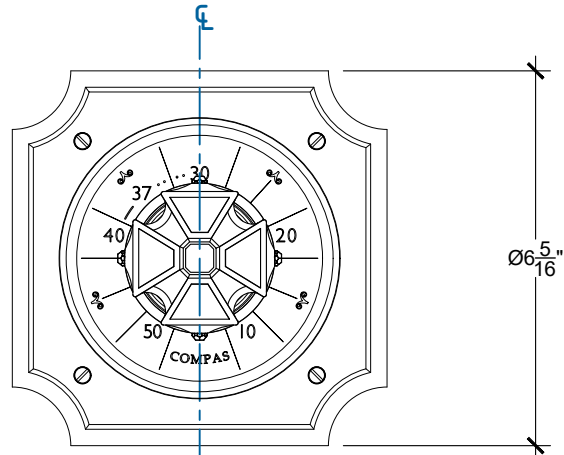


925

Internal Thermostatic system Shower Trim and valve - 3/4" NPT
 Thermostatique avec poignée 925 et soupape - 3/4" NPT
 Style # 12501385



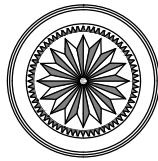
THERMO	
A min	2 1/4"
A max	4 1/2"
B	2 1/8"
C	4 3/4"
D	3 3/4"
E	3/4"
F	4 3/4"

PRESSURE
 * OPERATING PSI
RECOMMENDED PSI = 58
 MIN. 15 PSI / MAX 145 PSI

Copyright © Compas 2010 www.compasstone.com

 **COMPAS™**

REVISED 11-29-2021



IN - WALL THERMOSTATIC SYSTEM

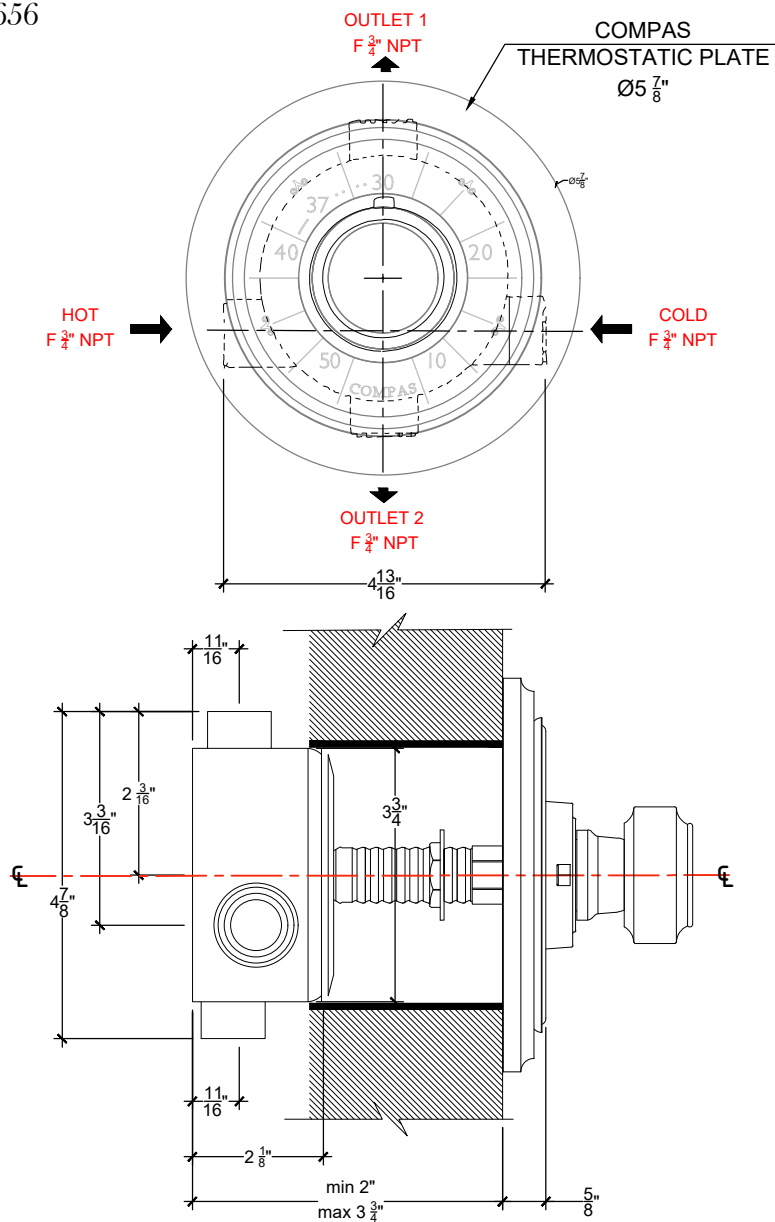
Standard In-wall thermostatic technical specs - 3/4" NPT

Anti - Scalding configuration system integrated

Mitigeur thermostatique a encastrer - 3/4" NPT

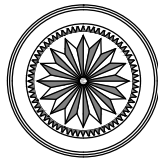
Weight: 3.75 lbs

Style # 0006656



Copyright © Compas 2010 www.compasstone.com

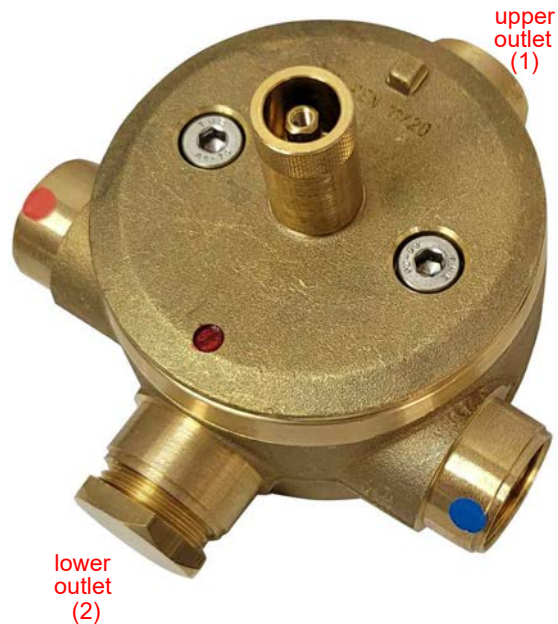




IN - WALL THERMOSTATIC SYSTEM

In-Wall Mounted European Shower Thermostat with cartridge - 3/4" NPT
Anti-Scalding configuration system integrated
Cartouche thermostatique avec système anti-brulûre intégré - 3/4" NPT
Style # 0006656

FLOWS UNDER 3 BAR DYNAMIC



PRESSURE

* OPERATING PSI

RECOMMENDED PSI = 58

MIN. 15 PSI / MAX 145 PSI

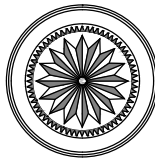
DEBIT in G/min

Unrestricted flow
20 G/min @ 60 PSI

Metric size available upon request.

Copyright © Compass 2010 www.compassstone.com

 COMPAS™



THERMOSTATIC SPECS

1 - INSTALLATION

1 - 1 INSTALLATION OF UNIT

- Draw the location of the unit on the wall.
- Position the unit using a spirit level.
- When cutting grooves into the wall take into account the recessing depths indicated in the right-hand part of (Figure 1)

1 - 2 CONNECTION (Figures 2 and 3)

- For models 8256, 8280, TX83 to TX86, the mixer must be connected to a shut-off and/or flow valve on the mixed water outlet.
- Models 8240 and 8244 have free outlet(s) to be equipped either with a valve or to be blanked off (depending on the installation).
- Connect the hot water to the red (marked HOT or + on the housing) and the cold water to the bleu (marked COLD or - on the housing). Models A to J are available with a reversed mechanism.
- Connect the mixed water outlet.
- Provide a shut-off of accessible on each pipe.
- Minimum recommended pipe diameter: see table below.

Ø / l/min	3 - 56	3 - 80	3 - 120	5 - 175	5 - 260	6 - 400
20 x 27	8256 A	8280 B				
	8240-56 G	8240-80 H				
26 x 34	8244-56 I	8244-80 J				
			TX83 C			
33 x 42				TX84 D		
40 x 49					TX85 E	
50 x 60						TX86 F

CAUTION : To allow the use of the free outlet(s), the plug (N) is pre-screwed and not sealed (hexagonal plug). Before filling with water first time, it is essential to make the connection tight (Teflon, hemp, glue...) if it is not being used.

1 - 3 RINSING AND FILLING WITH WATER. (Figures 4 and 5)

- Once the unit has been connected, it is essential to flush out the pipes and the mixer (cf see manual and rinsing kit supplied in this box).
- Remove the handle, cover and screw and take the plug/cartridge assembly out of its housing. Place the gasket supplied (in the package with the rinsing kit) on the neck of the device. Place the plug/cartridge assembly upside down on the device and the flat gasket.
- Screw in the provisional screws included in the package; this transforms the mixer into a bypass. Caution: do not use of these screws for the final assembly of the mixer. They are only destined for temporary setting up of the RINSING function.

PROTECTION AGAINST LEGIONELLA :

- Removable and interchangeable cartridge (easily descaled and disinfected).
- Built-in no return valves.
- Thermal shock: possibility of raising the temperature by simply removing the handle and rosette and turning the cartridge control shaft to the maximum hot position; the device then allows the hot water to circulate (destroying bacteria starting from 60°C).

1 - 4 ASSEMBLY AND TRIMMING OF THE MIXER.

- Recess the mixer by respecting the mini-maxi dimensions in order to facilitate the trimming and the maintenance. (Figure 6)
- Trace the plastic form flush with the finished wall level and cut it with a sharp tool. Put it back in place after cutting. (Figures 7 and 8)
- Cut the threaded tube to the right length by cutting into the parts that are not threaded. Screw the threaded tube onto the plug.
- Guide the square tube around the order axle.
- Use the cutting template to mark or cut the tube. Remove the square tube, cut and deburr it.
- Guide the square tube around the axle. Place the washer over the shaft.
- Position the rosette and dial against the partition. Screw the friction assembly on the threaded tube while guiding the square tube into the friction assembly. Screw down flat the rosette against the wall. (Figures 9 and 10)
- For models G to J, operate in the same way with the carton tubes while preserving 5 mm on the outside of the rose. Be sure to push the tubes onto the shaft of the tap heads. After cutting, put them back in place and secure with the screws supplied. (Figures 11 and 12)

1 - 5 SETTING THE LA TEMPERATURE. (VERY IMPORTANT)

- Fill the unit with water.
- Calibrate the temperature. (Figure 13)
- Run water at the desired temperature by turning the order axle and measure the temperature by using a thermometer.
- Position the indexed base. Install the index opposite the temperature indicated by the mixing valve.
- Turn the three screws (tightening all the screws alternately).

1 - 6 FINISHING AND OPERATION

- Install the handle. During use, if a temperature above 40°C is desired, push down the red index and turn the knob to the left. (Figures 14 and 15)
- Make sure that the mixer operates properly. (Figures 14 and 15)
- For models G to J with 2 or 3 taps, assemble the sleeve support cones by screwing them in thoroughly. Finish by installing the handles.

