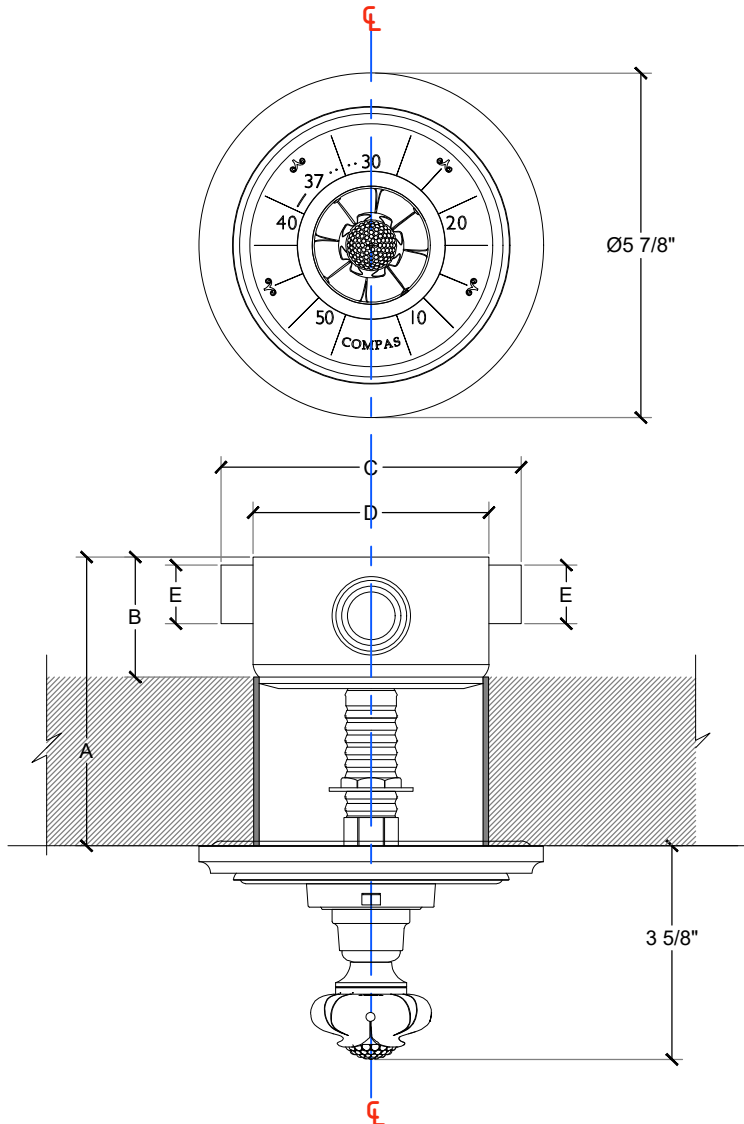


# LOTUS

In-Wall mounted European shower thermostat with valve - 3/4" NPT  
Thermostatique avec poignée Lotus et soupape - 3/4" NPT  
Ref # 01401385



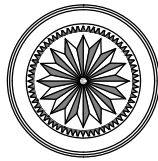
Copyright © Compas 2010 www.compasstone.com

THERMO	
A min	2 1/4"
A max	4 1/2"
B	2 1/8"
C	4 3/4"
D	3 3/4"
E	3/4"
F	4 3/4"

PRESSURE
* OPERATING PSI
RECOMMENDED PSI = 58
MIN. 15 PSI / MAX 145 PSI

 COMPAS™





# IN - WALL THERMOSTATIC SYSTEM

In-Wall Mounted European Shower Thermostat with cartridge - 3/4" NPT  
Anti-Scalding configuration system integrated  
Cartouche thermostatique avec système anti-brulûre intégré - 3/4" NPT  
Style # 0006656

FLOWS UNDER 3 BAR DYNAMIC



## PRESSURE

\* OPERATING PSI

RECOMMENDED PSI = 58

MIN. 15 PSI / MAX 145 PSI

## DEBIT in G/min

Unrestricted flow  
20 G/min @ 60 PSI

Metric size available upon request.

Copyright © Compass 2010 [www.compassstone.com](http://www.compassstone.com)

 COMPAS™

REVISED 11-24-20