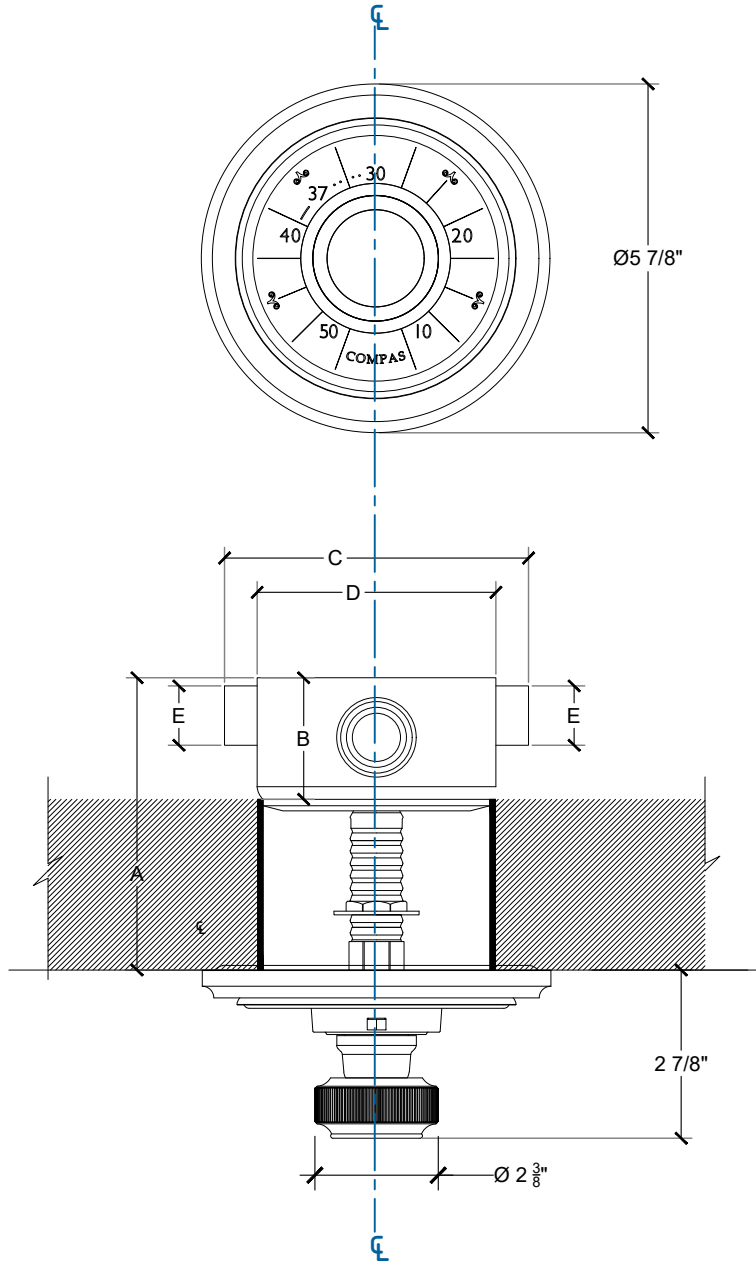


# KNURL

Internal Thermostatic Shower Trim with Knurl Handle valve - 3/4" NPT  
 Thermostatique avec poignée Knurl et soupape - 3/4" NPT  
 Style # 620SP385

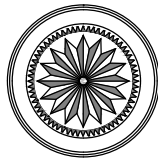


THERMO	
A min	2 1/4"
A max	4 1/2"
B	2 1/8"
C	4 3/4"
D	3 3/4"
E	3/4"
F	4 3/4"

**PRESSURE**  
 \* OPERATING PSI  
**RECOMMENDED PSI = 58**  
 MIN. 15 PSI / MAX 145 PSI

Copyright © Compas 2010 www.compasstone.com





# IN - WALL THERMOSTATIC SYSTEM

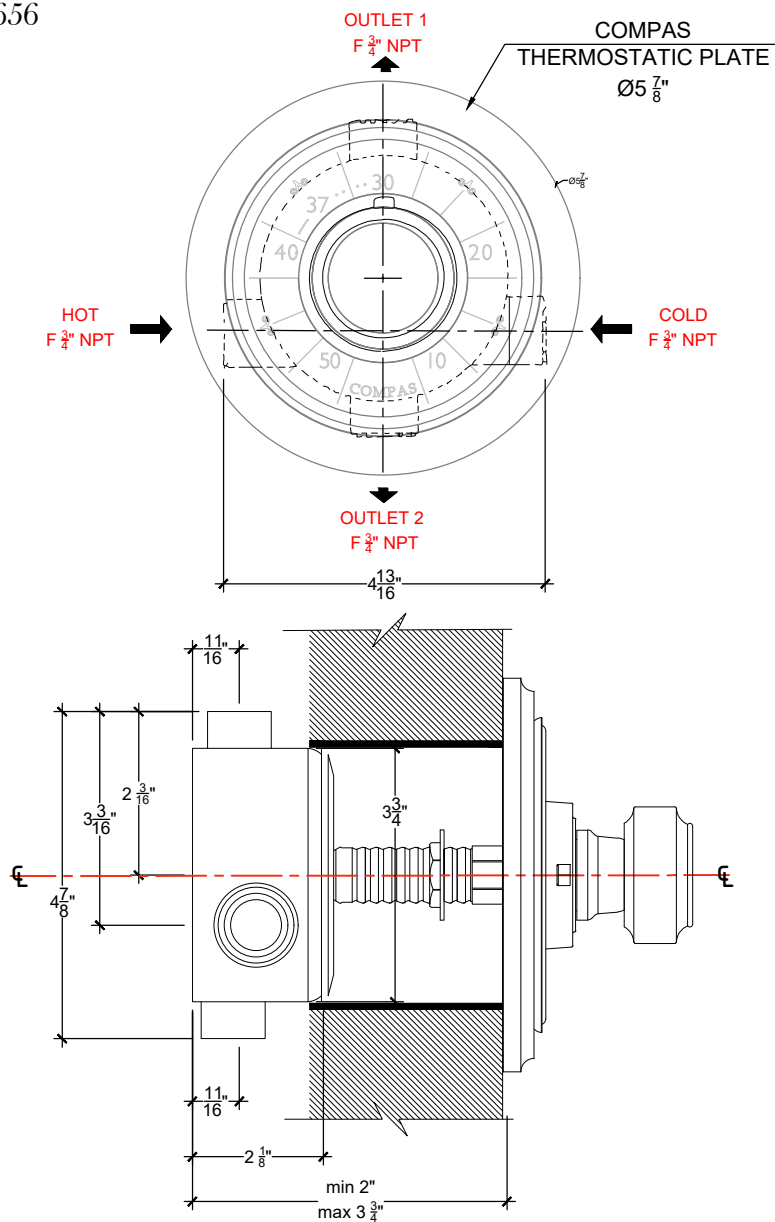
Standard In-wall thermostatic technical specs - 3/4" NPT

Anti - Scalding configuration system integrated

Mitigeur thermostatique a encastrer - 3/4" NPT

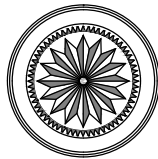
Weight: 3.75 lbs

Style # 0006656



Copyright © Compas 2010 www.compasstone.com



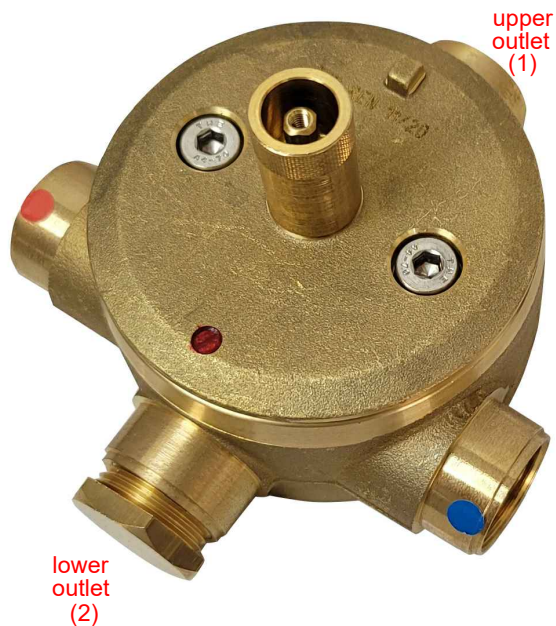


# IN - WALL THERMOSTATIC SYSTEM

In-Wall Mounted European Shower Thermostatic with cartridge - 3/4" NPT  
Anti - Scalding configuration system integrated  
Cartouche thermostatique avec système anti-brulûre intégré - 3/4" NPT  
Style # 0006656

## FLOWS UNDER 3 BAR DYNAMIC

M o d e l	8280	
	upper outlet (1)	lower outlet (2)
Flow l/min	80	60
Flow l/sec	1,33	1



### PRESSURE

\* OPERATING PSI

RECOMMENDED PSI = 58

MIN. 15 PSI / MAX 145 PSI

### DEBIT in G/min

20 G/min@ 3 BAR

Copyright © Compas 2010 www.compasstone.com

 **COMPAS™**