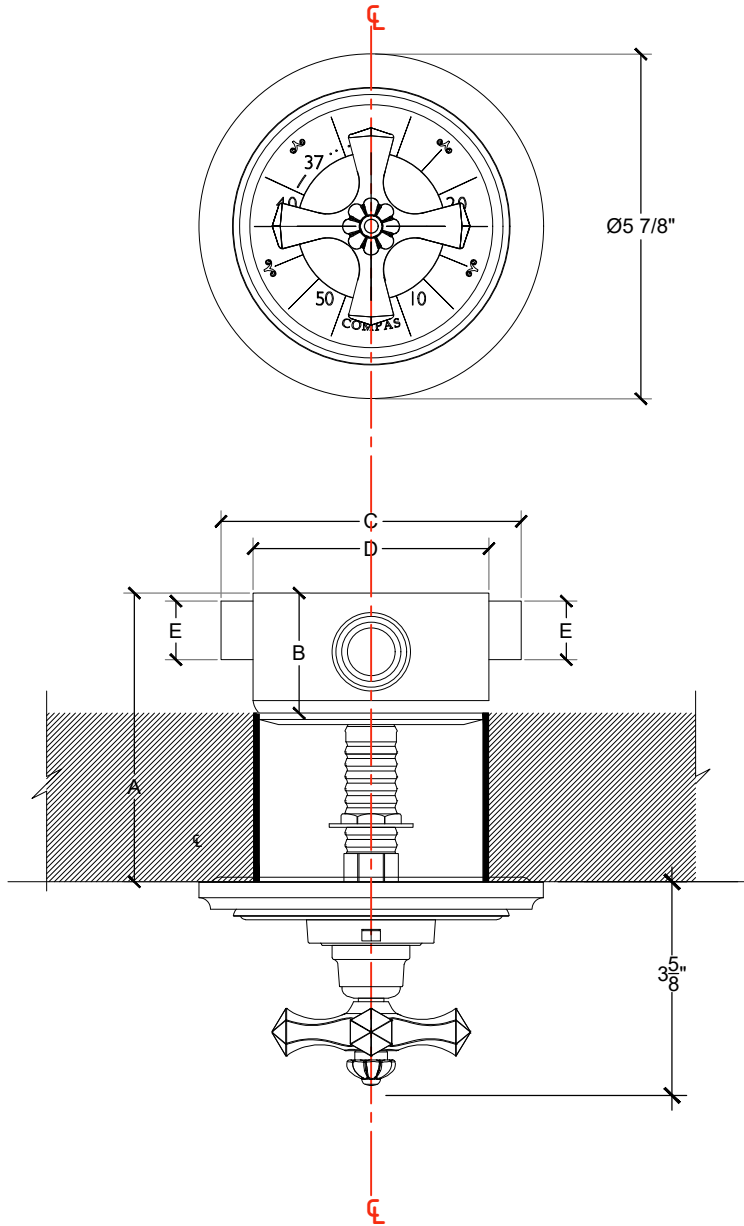


ESTRELLA

In-Wall Mounted European Shower Thermostat with valve - 3/4" NPT
Facade thermostatique murale et section de meme
Ref # 10306385



THERMO	
A min	2 1/4"
A max	4 1/2"
B	2 1/8"
C	4 3/4"
D	3 3/4"
E	3/4"
F	4 3/4"

PRESSURE

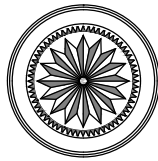
* OPERATING PSI

RECOMMENDED PSI = 58

MIN. 15 PSI / MAX 145 PSI

Copyright © Compas 2010 www.compasstone.com

 COMPAS™



IN - WALL THERMOSTATIC SYSTEM

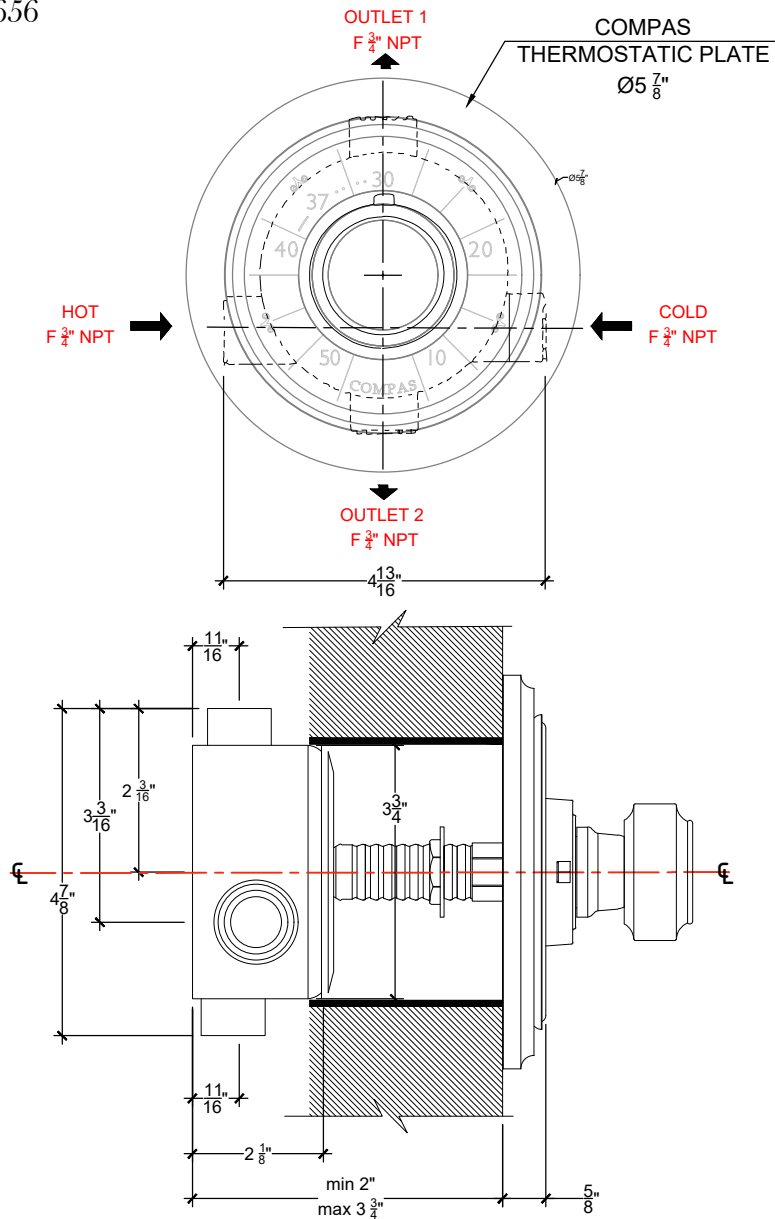
Standard In-wall thermostatic technical specs F $\frac{3}{4}$ " NPT

Anti - Scalding configuration system integrated

Mitigeur thermostatique a escaster - F $\frac{3}{4}$ " NPT

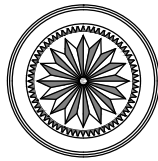
Weight: 3.75 lbs

Style # 0006656



Copyright © Compas 2010 www.compasstone.com

 COMPAS™

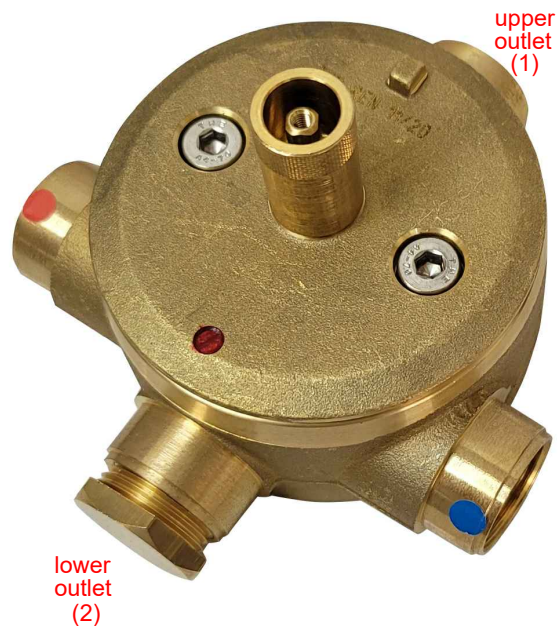


IN - WALL THERMOSTATIC SYSTEM

In-Wall Mounted European Shower Thermostatic with cartridge - F 3/4" NPT
Anti - Scalding configuration system integrated
Style # 0006656

FLOWS UNDER 3 BAR DYNAMIC

M o d e l	8280	
	upper outlet (1)	lower outlet (2)
Flow l/min	80	60
Flow l/sec	1,33	1



PRESSURE

* OPERATING PSI

RECOMMENDED PSI = 58

MIN. 15 PSI / MAX 145 PSI

DEBIT in G/min

20 G/min@ 3 BAR

Copyright © Compas 2010 www.compasstone.com

 COMPAS™