



# COMPAS™



## VIVIENNE

Polyfoil shaped hammered metal sink.

- 17.7" Length
- 13.8" Depth
- 5.3" Height
- Ref: 3027 BP
- Refer to page 2 for details (other sizes available on request)

COMPAS

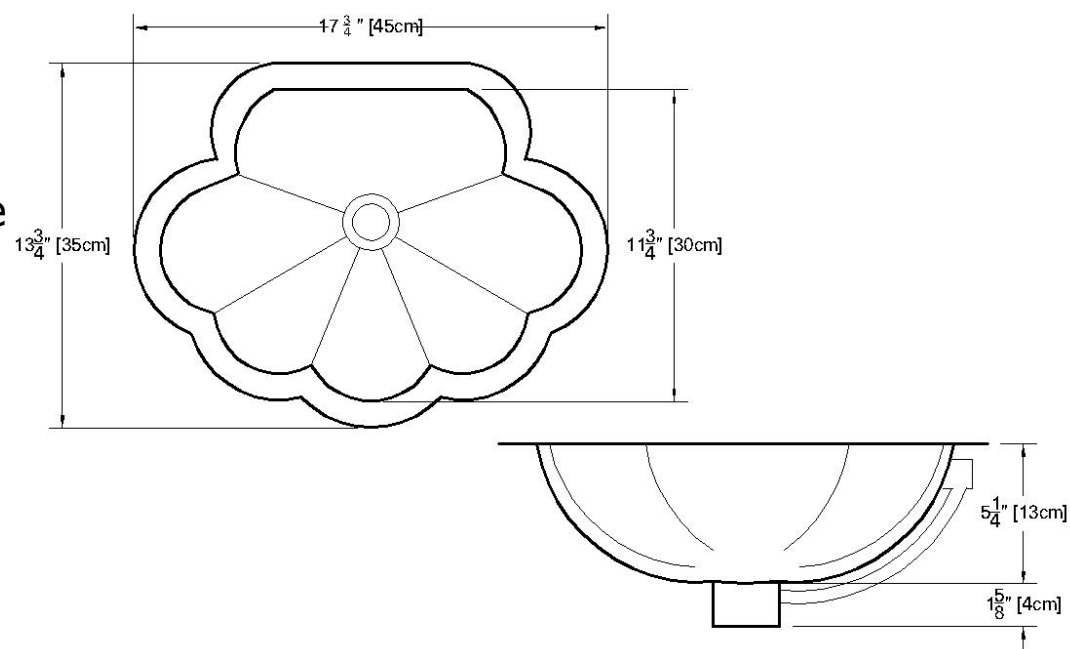
843 - 845 N. LACIENEGA BLVD.  
LOS ANGELES, CALIFORNIA 90069

## Specifications:

- Vivienne polyfoil-shaped sink
- available with hammered or smooth finish
- under mounted
- Drain hole 1 3/4" Standard
- Overflow included (see drawing)
- Drain not supplied
- Made with thick gauge brass, hand finishes

## Available finishes:

- |                       |                  |
|-----------------------|------------------|
| 01: Solid Red Copper  | 08: Shiny Chrome |
| 02: Antique Copper    | 09: Mat Chrome   |
| 03: Shiny Solid Brass | 10: Tin          |
| 04: Antique Brass     | 11: Silver       |
| 05: Shiny Nickel      | 12: Mat Silver   |
| 06: Mat Nickel        | 13: Shiny Gold   |
| 07: Antique Nickel    | 14: Mat Gold     |



COMPAS

843 - 845 N. LACIENEGA BLVD.  
LOS ANGELES, CALIFORNIA 90069