



COMPAS™



NAIS

A perfect octagonal shaped metal sink

- 16.5" Diameter
- 5.1" Height
- Ref: 0451

Refer to page 2 for details

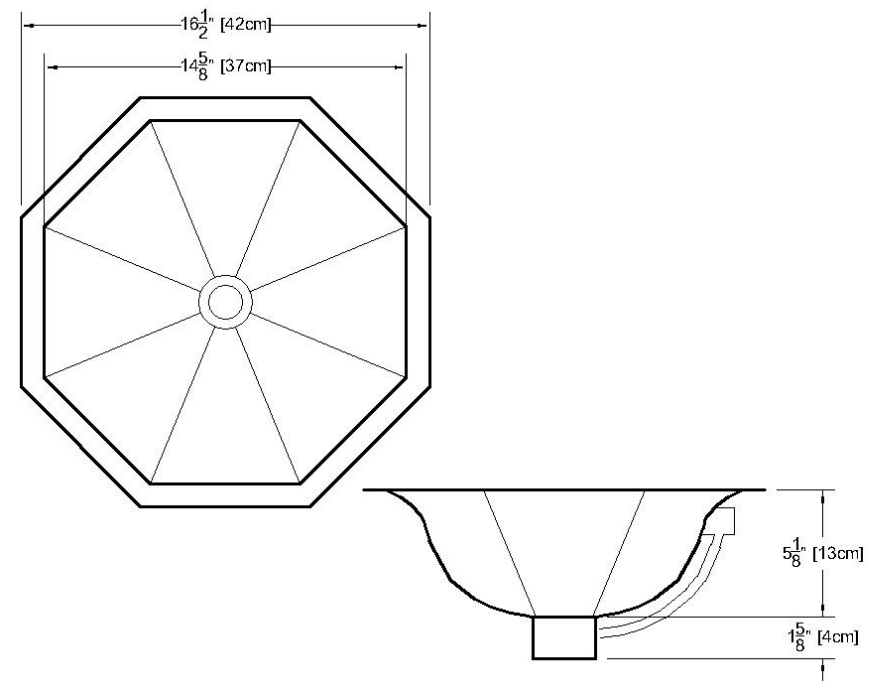
COMPAS
843 - 845 N. LACIENEGA BLVD.
LOS ANGELES, CALIFORNIA 90069

Specifications:

- Jackie: An elongated polygonal metal sink
- Available with hammered or smooth finish
- Under mounted
- Drain hole 1 3/4" Standard
- Overflow included (see drawing)
- Drain not supplied
- Made with thick gauge brass, hand finishes

Available Finishes:

- | | |
|-----------------------|------------------|
| 01: Solid Red Copper | 08: Shiny Chrome |
| 02: Antique Copper | 09: Mat Chrome |
| 03: Shiny Solid Brass | 10: Tin |
| 04: Antique Brass | 11: Silver |
| 05: Shiny Nickel | 12: Mat Silver |
| 06: Mat Nickel | 13: Shiny Gold |
| 07: Antique Nickel | 14: Mat Gold |



COMPAS

843 - 845 N. LACIENEGA BLVD.
LOS ANGELES, CALIFORNIA 90069