



COMPAS™



MELUSINE

A round sink with a octagonal recessing dome vessel

- 16.3" Diameter
- 5.1" Height
- Ref: 0452

Refer to page 2 for details

COMPAS

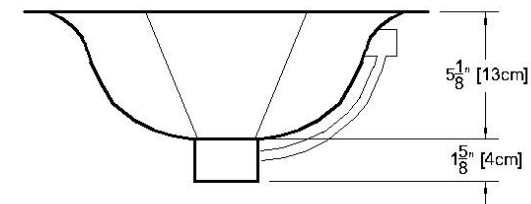
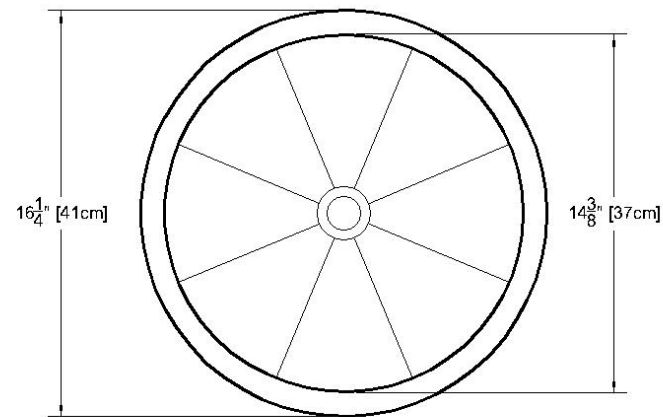
843 - 845 N. LACIENEGA BLVD.
LOS ANGELES, CALIFORNIA 90069

Specifications:

- Melusine: 16.3" round sink
- Available with hammered or smooth finish
- Under mounted
- Drain hole 1 3/4" Standard
- Overflow included (see drawing)
- Drain not supplied
- Made with thick gauge brass, hand finishes

Available Finishes:

01: Solid Red Copper	08: Shiny Chrome
02: Antique Copper	09: Mat Chrome
03: Shiny Solid Brass	10: Tin
04: Antique Brass	11: Silver
05: Shiny Nickel	12: Mat Silver
06: Mat Nickel	13: Shiny Gold
07: Antique Nickel	14: Mat Gold



COMPAS

843 - 845 N. LACIENEGA BLVD.
LOS ANGELES, CALIFORNIA 90069