

# COMPAS™



## MANON

A deep round metal sink for  
bar or vanity

- 15" DIAMETER
- 7.5" HEIGHT
- SKU: 1735

Refer to page 2 for details

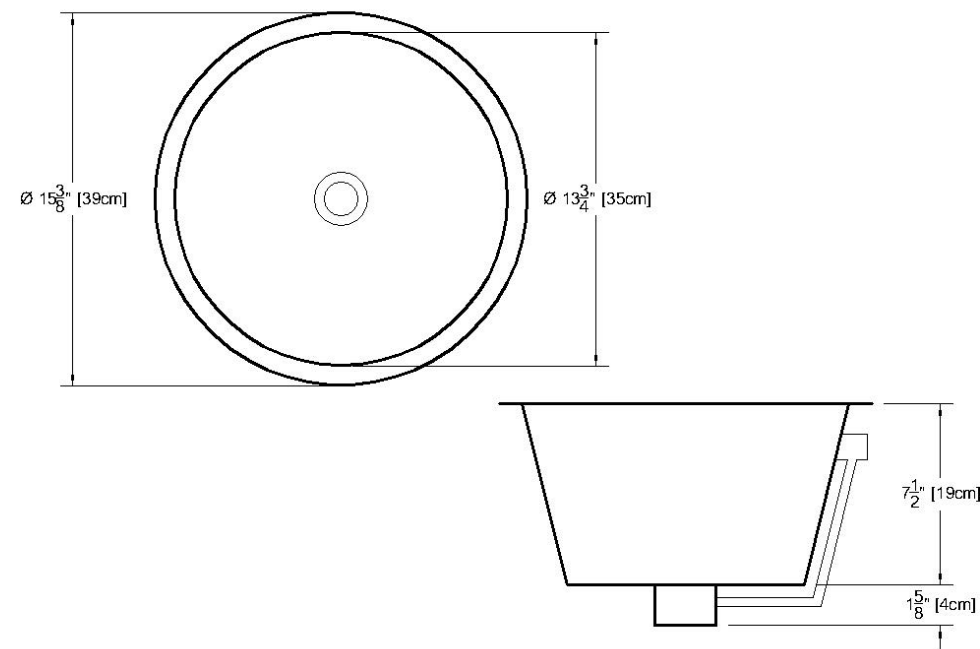
COMPAS  
843 - 845 N. LACIENEGA BLVD.  
LOS ANGELES, CALIFORNIA 90069

## Specification:

- Manon: A round & tapered sink with a deep vessel for a bar or vanity
- Available with hammered or smooth finish
- Under mounted
- Drain hole 1 3/4" Standard/ Bar drain 2" on request
- Overflow included for vanity/ No overflow for bar
- Drain not supplied
- Made with thick gauge brass, hand finishes

## Available Finishes:

01: Solid Red Copper	08: Shiny Chrome
02: Antique Copper	09: Mat Chrome
03: Shiny Solid Brass	10: Tin
04: Antique Brass	11: Silver
05: Shiny Nickel	12: Mat Silver
06: Mat Nickel	13: Shiny Gold
07: Antique Nickel	14: Mat Gold



COMPAS

843 - 845 N. LACIENEGA BLVD.  
LOS ANGELES, CALIFORNIA 90069