

# COMPAS™



## JICKIE

A elongated octagonal metal sink

21.1" Width 15"

Height 6.1"

Depth

Ref: 6029

Refer to page 2 for details

COMPAS

843 - 845 N. LACIENEGA BLVD.  
LOS ANGELES, CALIFORNIA 90069

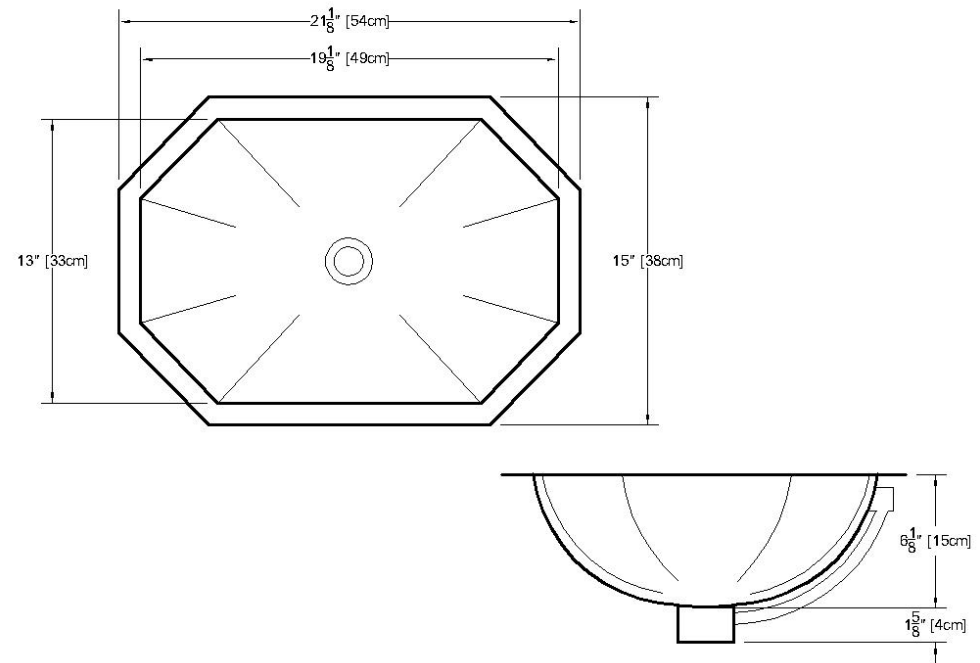
## Specifications:

- Jackie: An elongated polygonal metal sink
- Available with hammered or smooth finish
- Under mounted
- Drain hole 1 3/4" Standard
- Overflow:- for bar, not needed.
- for vanity, supplied with overflow.
- Drain not supplied
- Made with thick gauge brass, hand finishes

## Available Finishes:

01: Solid Red Copper  
02: Antique Copper  
03: Shiny Solid Brass  
04: Antique Brass  
05: Shiny Nickel  
06: Mat Nickel  
07: Antique Nickel

08: Shiny Chrome  
09: Mat Chrome  
10: Tin  
11: Silver  
12: Mat Silver  
13: Shiny Gold  
14: Mat Gold



COMPAS

843 - 845 N. LACIENEGA BLVD.  
LOS ANGELES, CALIFORNIA 90069