



COMPAS™



GARANCE

A quadlobe shaped metal sink with incurving ridges

- 22.8" WIDTH
- 17.3" HEIGHT
- 5.1" DEPTH
- Ref: 8021

Refer to page 2 for details

COMPAS

843 - 845 N. LACIENEGA BLVD.
LOS ANGELES, CALIFORNIA 90069

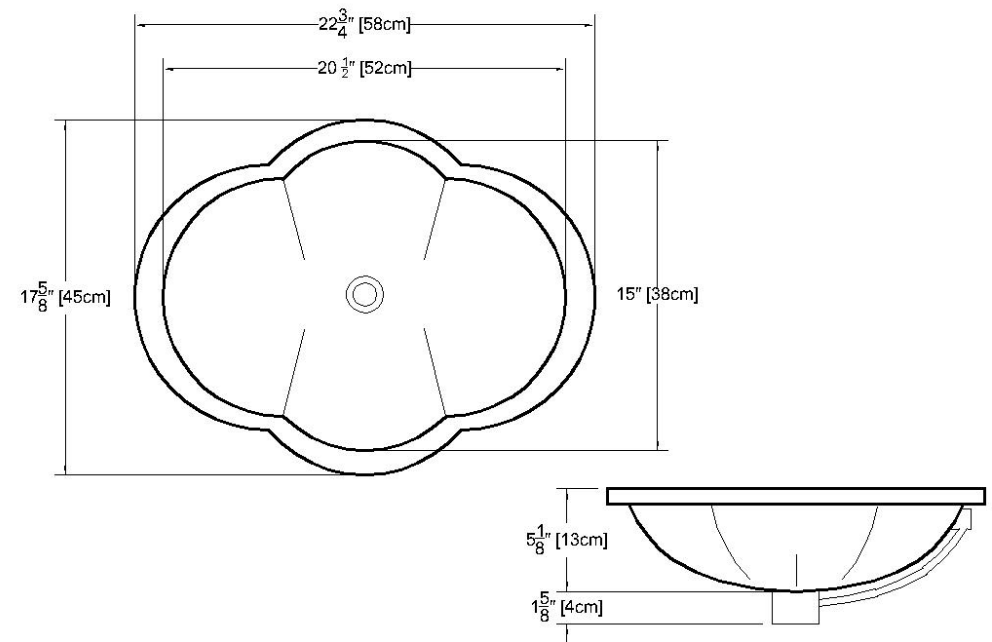
Specifications:

- Garance: A quadrolobe shaped metal sink with incurving ridges
- Available with hammered or smooth finish
- Under mounted
- Drain hole 1 3/4" Standard
- Overflow included (see drawing)
- Drain not supplied
- Made with thick gauge brass, hand finishes

Available Finishes:

01: Solid Red Copper
02: Antique Copper
03: Shiny Solid Brass
04: Antique Brass
05: Shiny Nickel
06: Mat Nickel
07: Antique Nickel

08: Shiny Chrome
09: Mat Chrome
10: Tin
11: Silver
12: Mat Silver
13: Shiny Gold
14: Mat Gold



COMPAS

843 - 845 N. LACIENEGA BLVD.
LOS ANGELES, CALIFORNIA 90069