

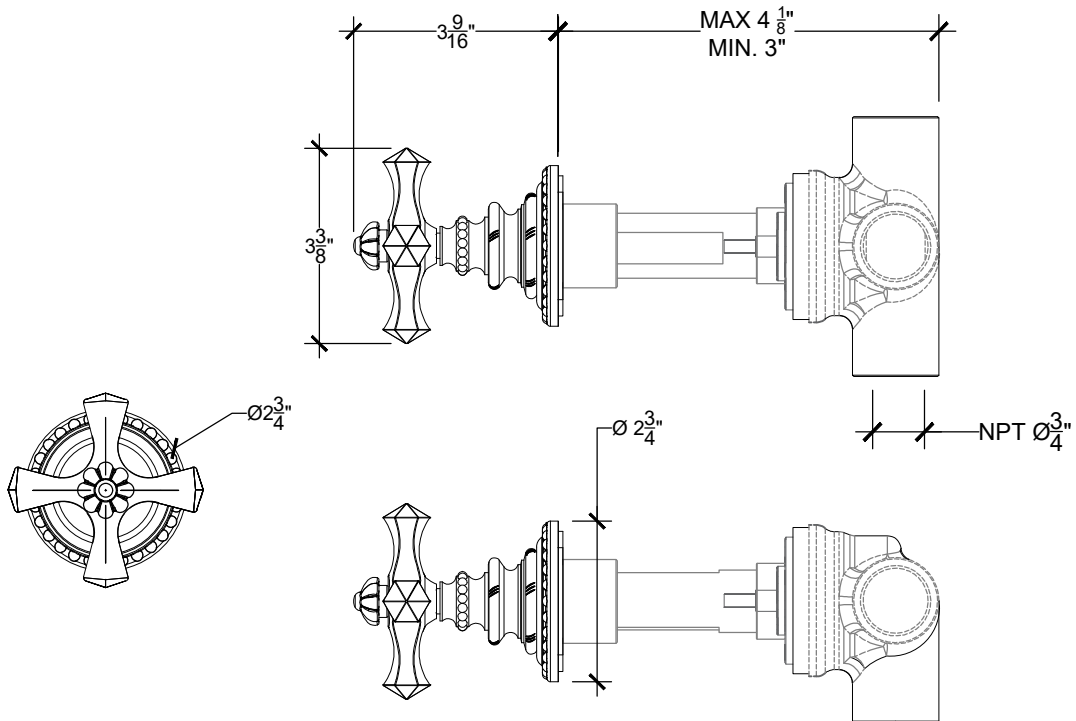
ESTRELLA

2 WAY DIVERTER

Wall mounted 2-Way Diverter - $\frac{3}{4}$ " NPT

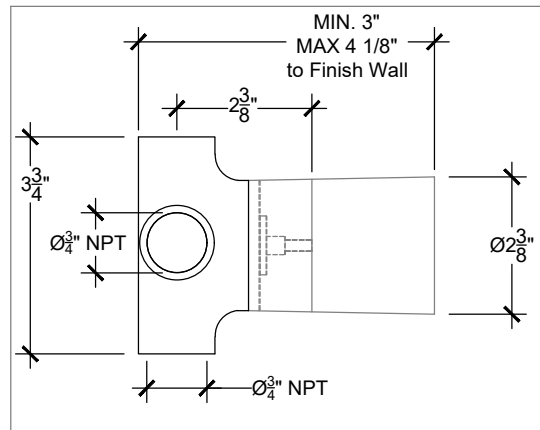
Facade d'inverseur - $\frac{3}{4}$ " NPT

Ref # 10306602



NOTE
2 way diverter must be used in combination
with a valve that has a volume control
(ON | OFF) position.

1 way water supply
2 way out supplies to other components



* 2-Way Diverter: 15984181

Copyright © Compas 2010 www.compassstone.com

