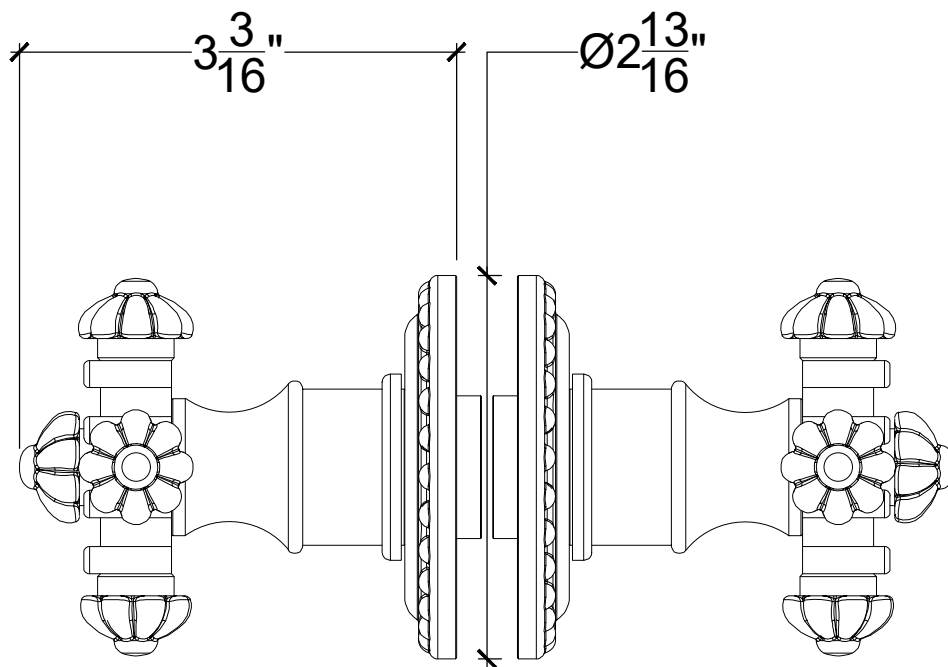




CRUCIFORM

Shower Door Knob - 1 Set Back-to-Back
Style # 8502571



Copyright © Compas 2010 www.compasstone.com

 COMPAS™