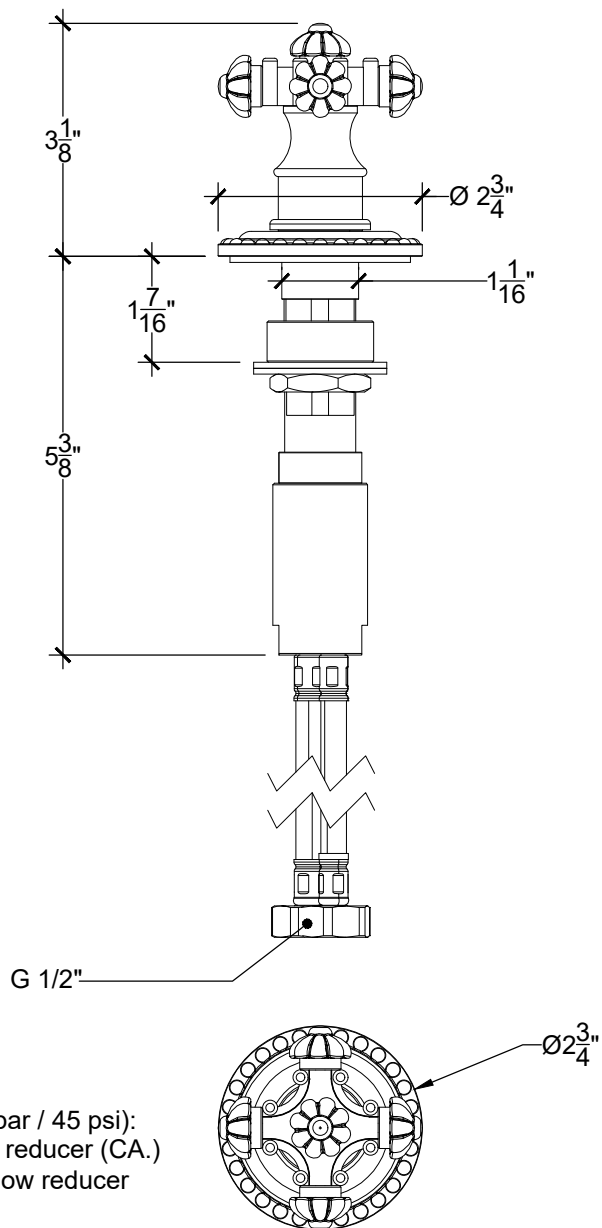


# CRUCIFORM

Deck mounted Cruciform rotary mixer - G 1/2" -  
Mitigeur monocommande sur gorge  
Ref #: 8506121



Recommended pressure (3 bar / 45 psi):  
13.6 l/min / 3.6 gpm with flow reducer (CA.)  
16.2 l/min / 4.2 gpm without flow reducer  
Prop 65 compliant

Copyright © Compas 2010 www.compasstone.com

 COMPAS™