

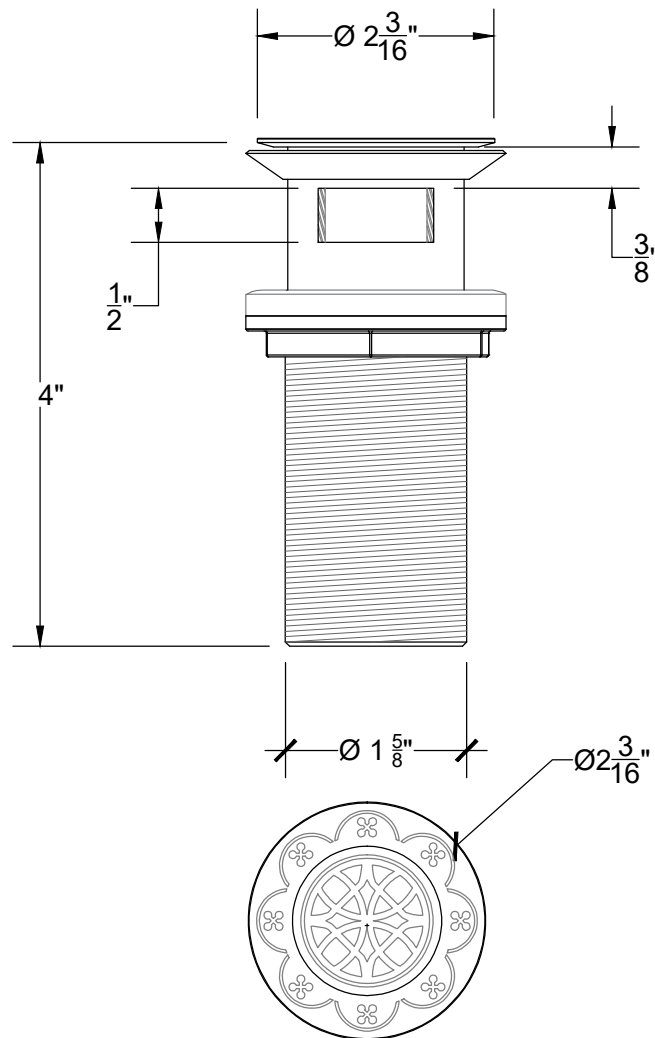


CHISELED ROSE DRAIN

Chiseled Rose Drain - [WITH OVERFLOW]

Bonde de lababo Rose avec trop plein

Ref #: 13205496



Copyright © Compas 2010 www.compassstone.com

Can be cut for adjustment on site

* DRILLING = $\text{Ø } 1 \frac{3}{4}''$

 COMPAS™