



COMPAS™



CAMOMILLE

An oblong rectangular metal sink

16" Long

12" Large

5.5" Deep

Ref: SNK MET 3625

Refer to page 2 for details

COMPAS

843 - 845 N. LACIENEGA BLVD.
LOS ANGELES, CALIFORNIA 90069

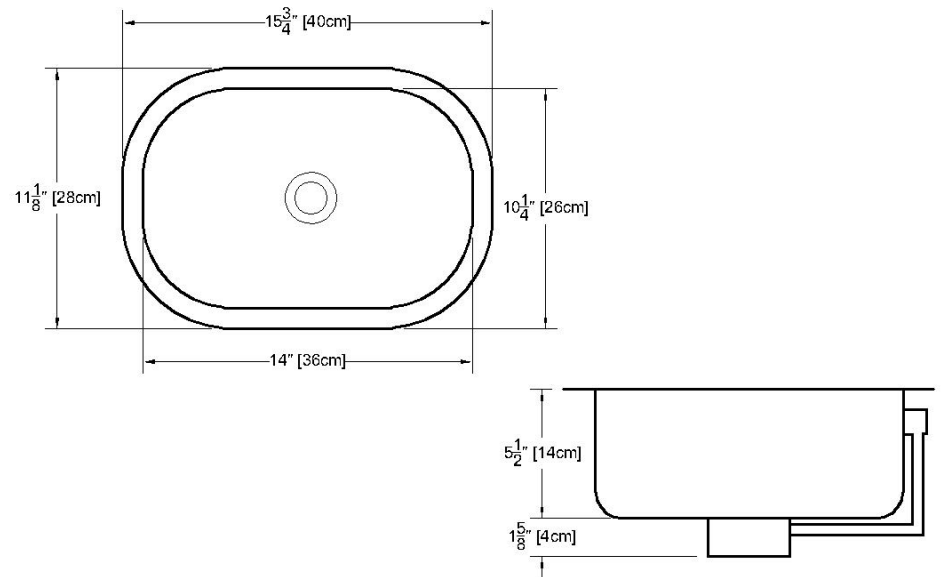
Specification:

- Camomille: an oblong rectangular sink, presenting 4 round corners
- Available with hammered or smooth finish
- Under mounted
- Drain hole 1 3/4" Standard
- Overflow:- for bar, not needed.
- for vanity, supplied with overflow.
- Drain not supplied
- Made with thick gague brass, hand finishes

Available Finishes:

01: Solid Red Copper
02: Antique Copper
03: Shiny Solid Brass
04: Antique Brass
05: Shiny Nickel
06: Mat Nickel
07: Antique Nickel

08: Shiny Chrome
09: Mat Chrome
10: Tin
11: Silver
12: Mat Silver
13: Shiny Gold
14: Mat Gold



COMPAS

843 - 845 N. LACIENEGA BLVD.
LOS ANGELES, CALIFORNIA 90069