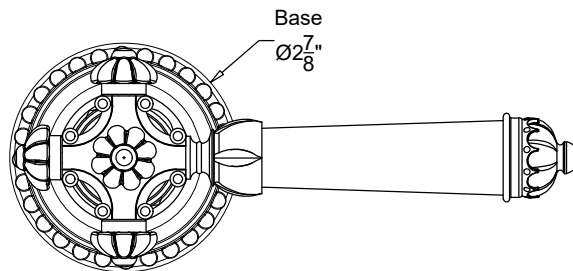
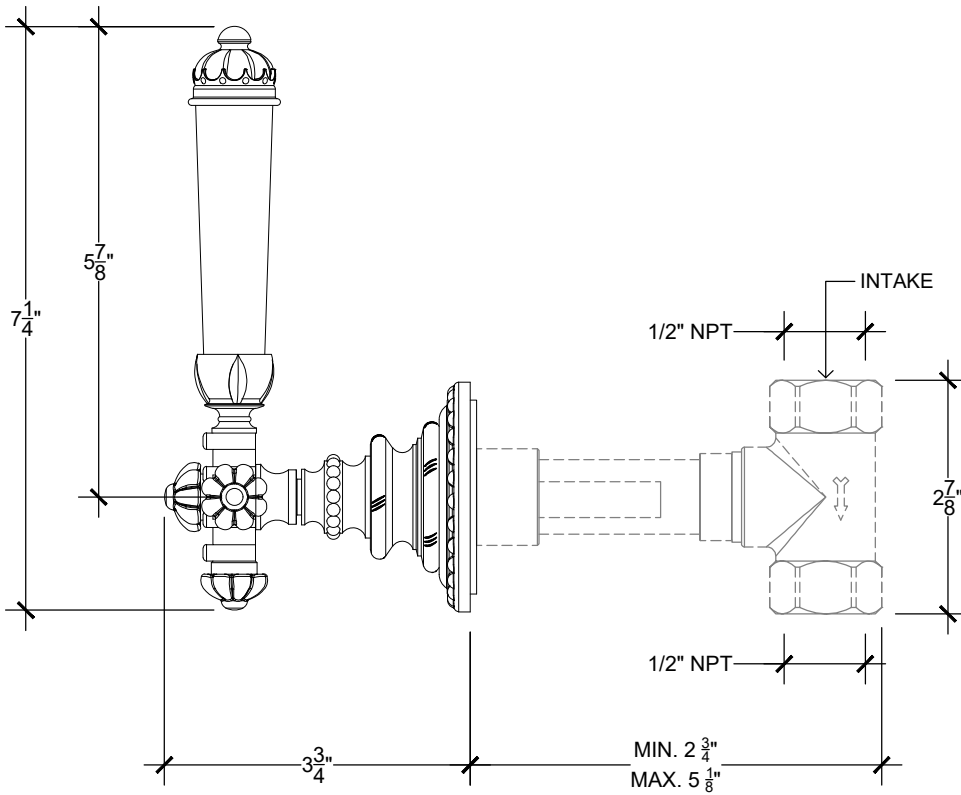


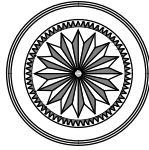
# SEGOVIA 1/2"

Wall mounted lever handle 1/2" NPT  
Right lever handle: Ref # 08406730  
Left lever handle: Ref # 08406731



Copyright © Compas 2010 www.compassstone.com

 COMPAS™



SEGOVIA  
SEGOVIA MIRAMARE  
LEVER HANDLE TYPOLOGY



ROCK CRYSTAL



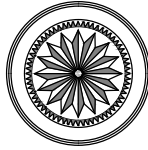
MURANO GLASS



ALL METAL

Copyright © Compas 2010 [www.compasstone.com](http://www.compasstone.com)

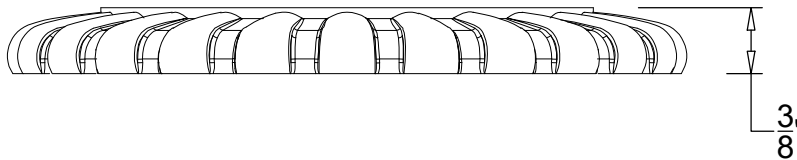
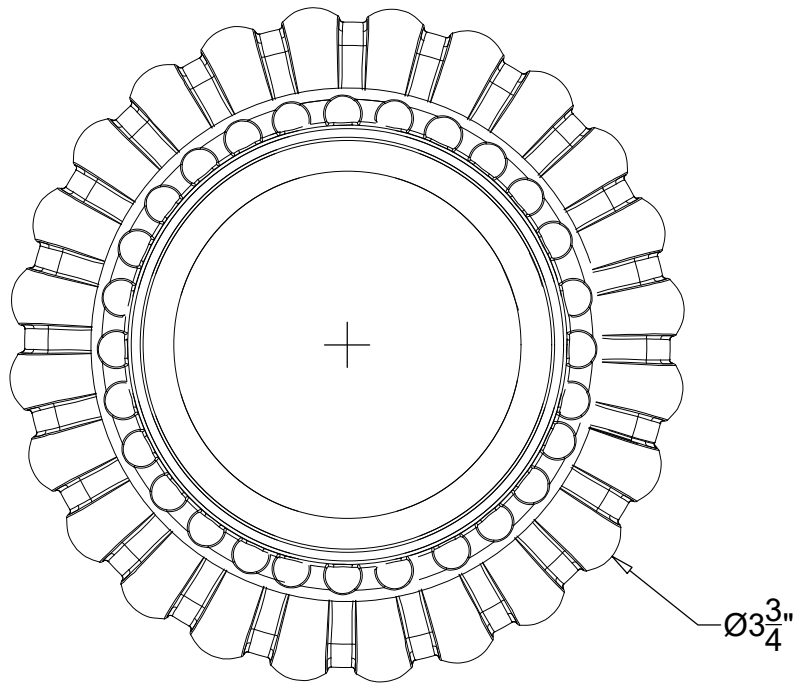
 COMPAS™



# MIRAMARE

## BACK PLATE

Miramare back plate for Segovia deck and wall mounted lever handles  
Back plate accommodates 1/2" & 3/4" lever handles



Copyright © Compass 2010 [www.compassstone.com](http://www.compassstone.com)

