

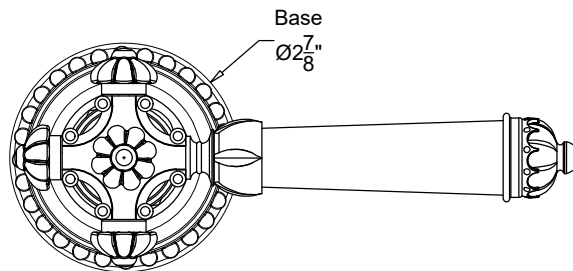
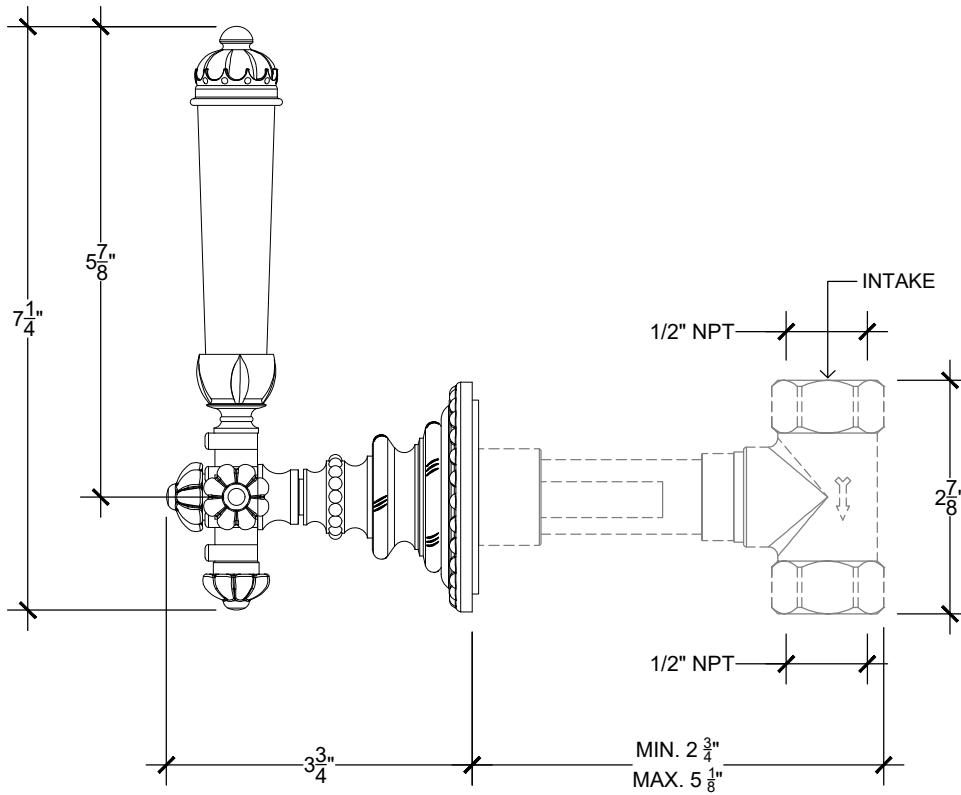
SEGOVIA 1/2"

Wall mounted lever - 1/2" NPT

Système mural - Levier Ségovia - 1/2" NPT

Right lever: Ref # 08406730

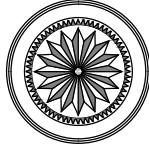
Left lever: Ref # 08406731



Copyright © Compas 2010 www.compassstone.com

 COMPAS™

Revised 03-11-2022



SEGOVIA
SEGOVIA MIRAMARE
LEVER HANDLE TYPOLOGY



ROCK CRYSTAL



MURANO GLASS

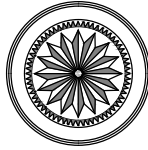


ALL METAL

Copyright © Compas 2010 www.compassstone.com

 COMPAS™

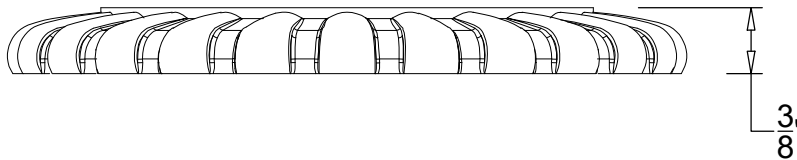
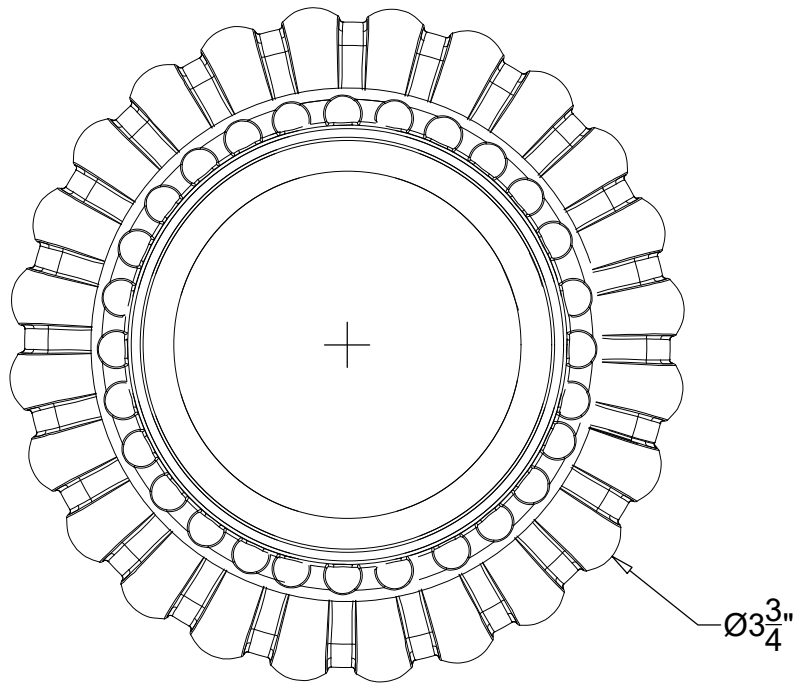
Revised 03-10-2022



MIRAMARE

BACK PLATE

Miramare back plate for Segovia deck and wall mounted lever handles
Back plate accommodates 1/2" & 3/4" lever handles



Copyright © Compas 2010 www.compasstone.com

