

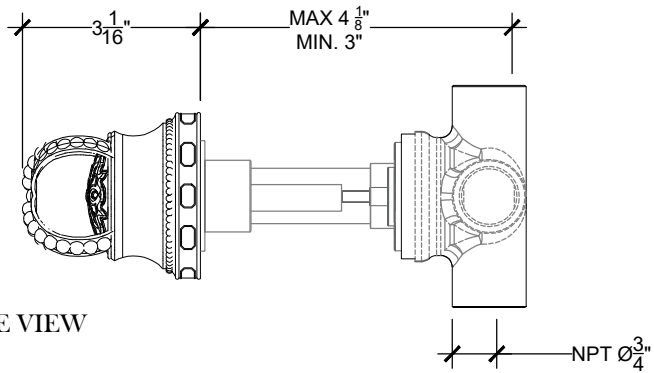


MARGOT

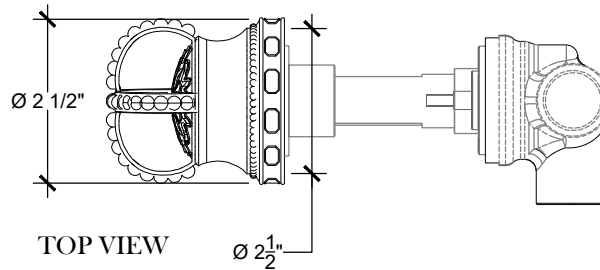
Wall mounted Margot handle with 2-Ways Diverter - 3/4 NPT
Montage mural - Poignée "Margot", inverseur 2 voies - 3/4" NPT
Ref # 12006602



FRONT VIEW



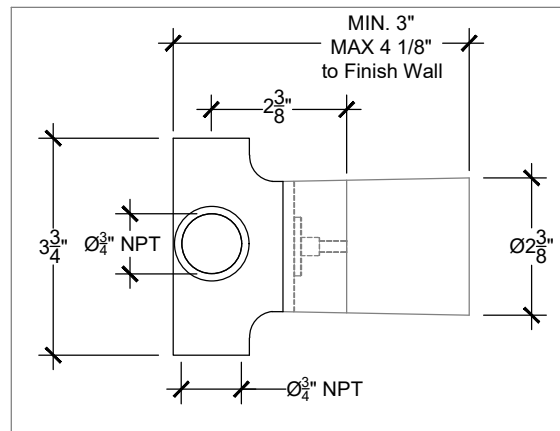
SIDE VIEW



TOP VIEW

NOTE
2 way diverter must be used in combination
with a valve that has a volume control
(ON | OFF) position.

1 way water supply
2 way out supplies to other components



Copyright © Compas 2010 www.compassstone.com

 COMPAS™

REVISED 07-11-2023