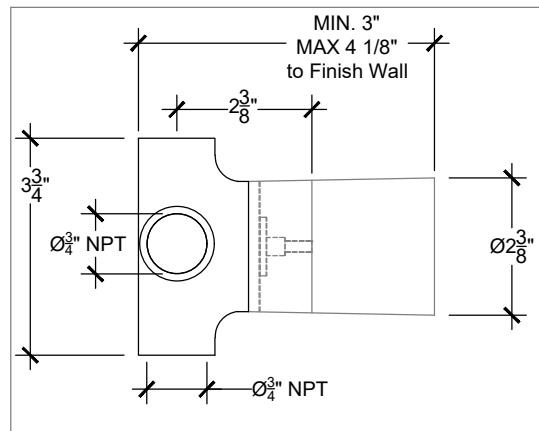
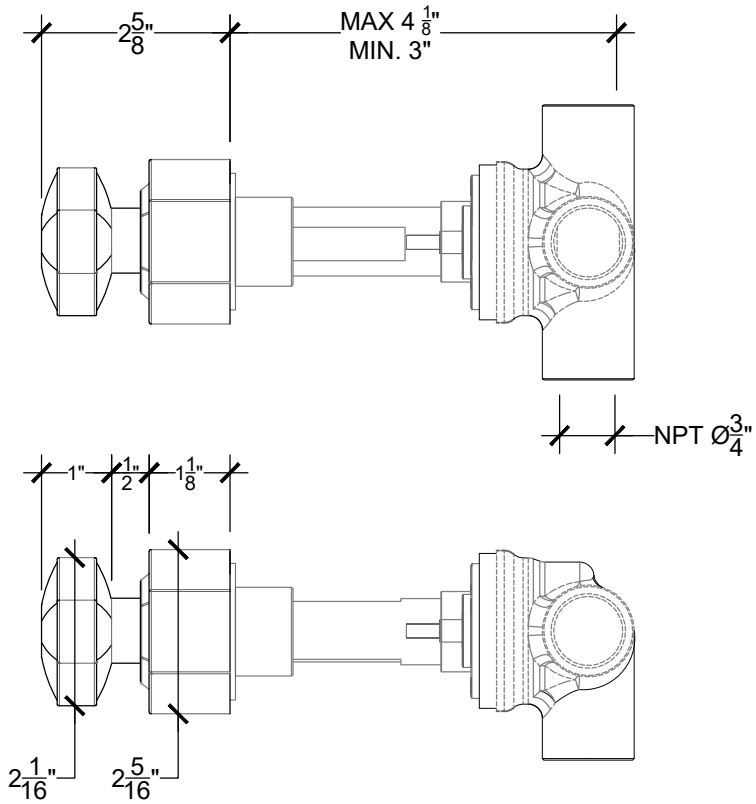
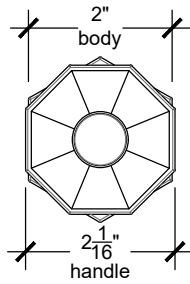


LOULOU

Wall mounted Loulou 2-Way Diverter - 3/4" NPT
Facade D'inverseur 2-points - 3/4" NPT
Style # 17106602



NOTE
2 way diverter must be used in combination
with a valve that has a volume control
(ON | OFF) position.

1 way water supply
2 way out supplies to other components

Copyright © Compas 2010 www.compassstone.com

 **COMPAS™**