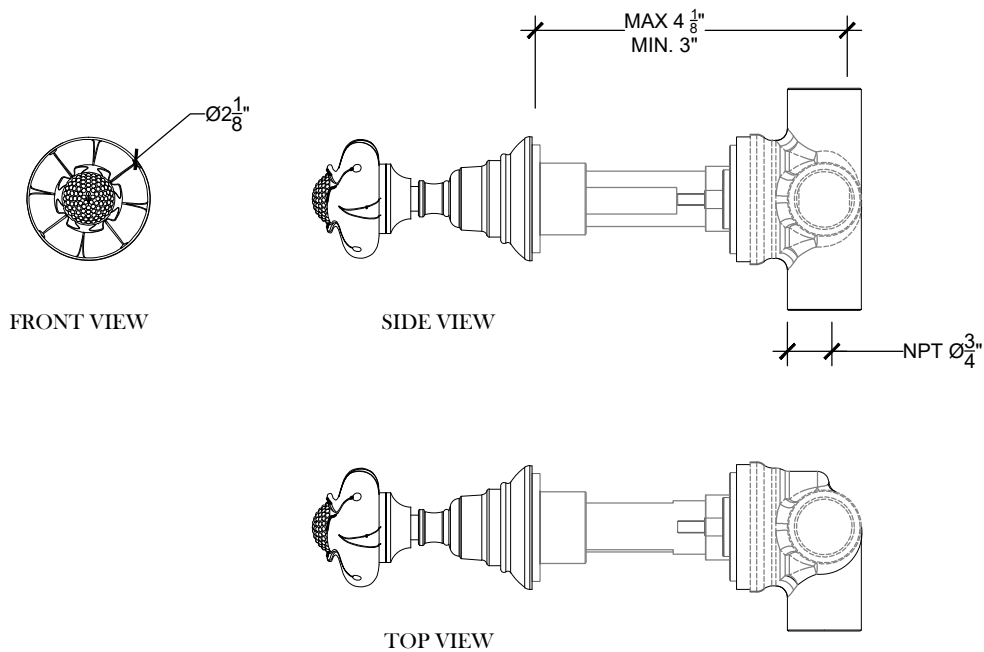




LOTUS 3/4"

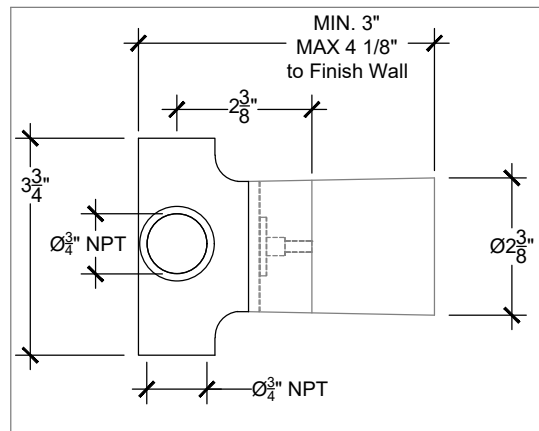
2 WAY DIVERTER

Wall mounted Lotus 2 Way Diverter - 3/4" NPT
Facade D'inverseur - 3/4" NPT
Ref # 01406602



NOTE
2 way diverter must be used in combination
with a valve that has a volume control
(ON | OFF) position.

1 way water supply
2 way out supplies to other components



Copyright © Compas 2010 www.compassstone.com

 COMPAS™