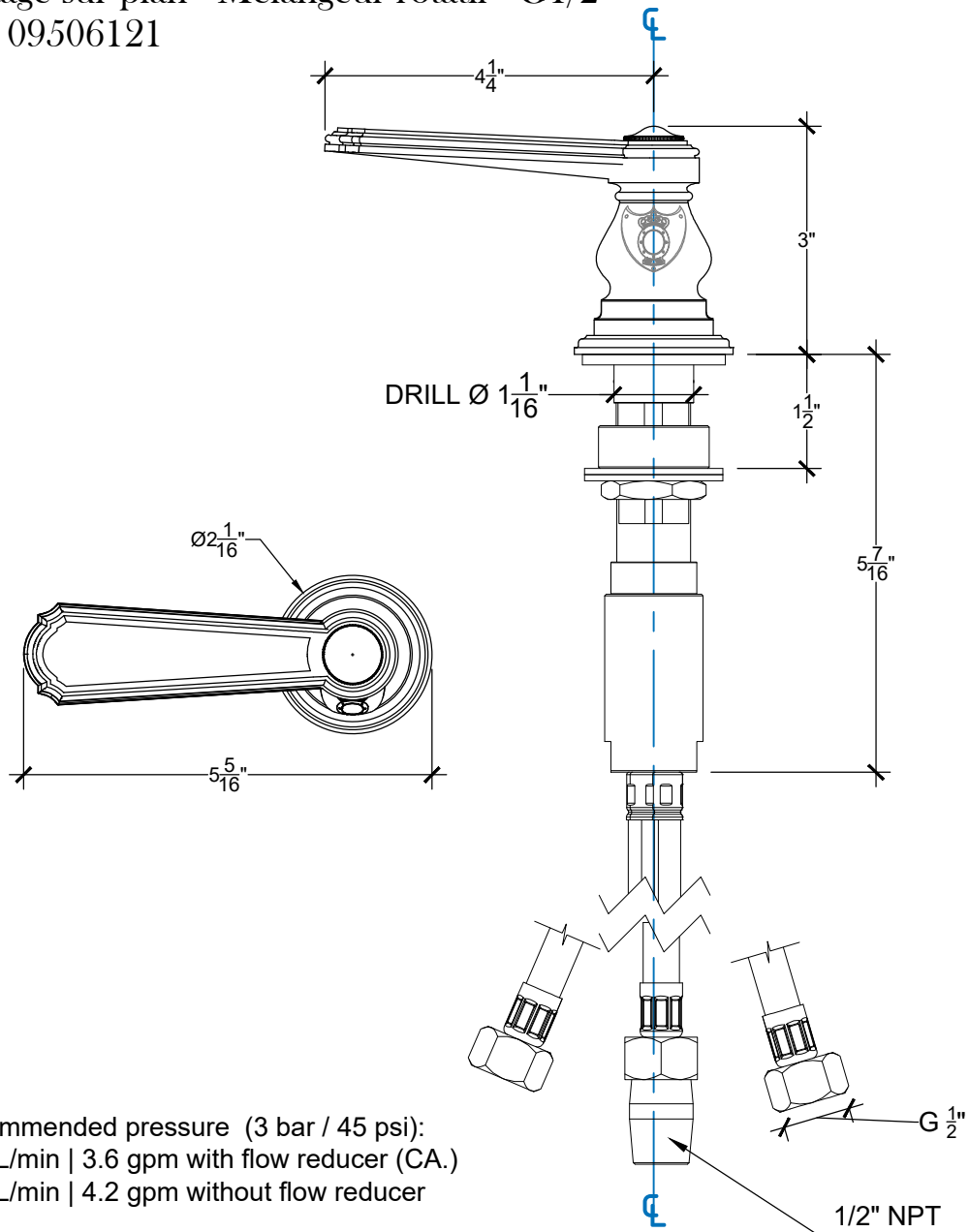


# VILLA 1/2"

## ROTARY MIXER

Deck mounted rotary mixer - G  $\frac{1}{2}$ "  
Montage sur plan - Mélangeur rotatif - G  $\frac{1}{2}$ "  
Ref # 09506121



Recommended pressure (3 bar / 45 psi):  
13.6 L/min | 3.6 gpm with flow reducer (CA.)  
16.2 L/min | 4.2 gpm without flow reducer