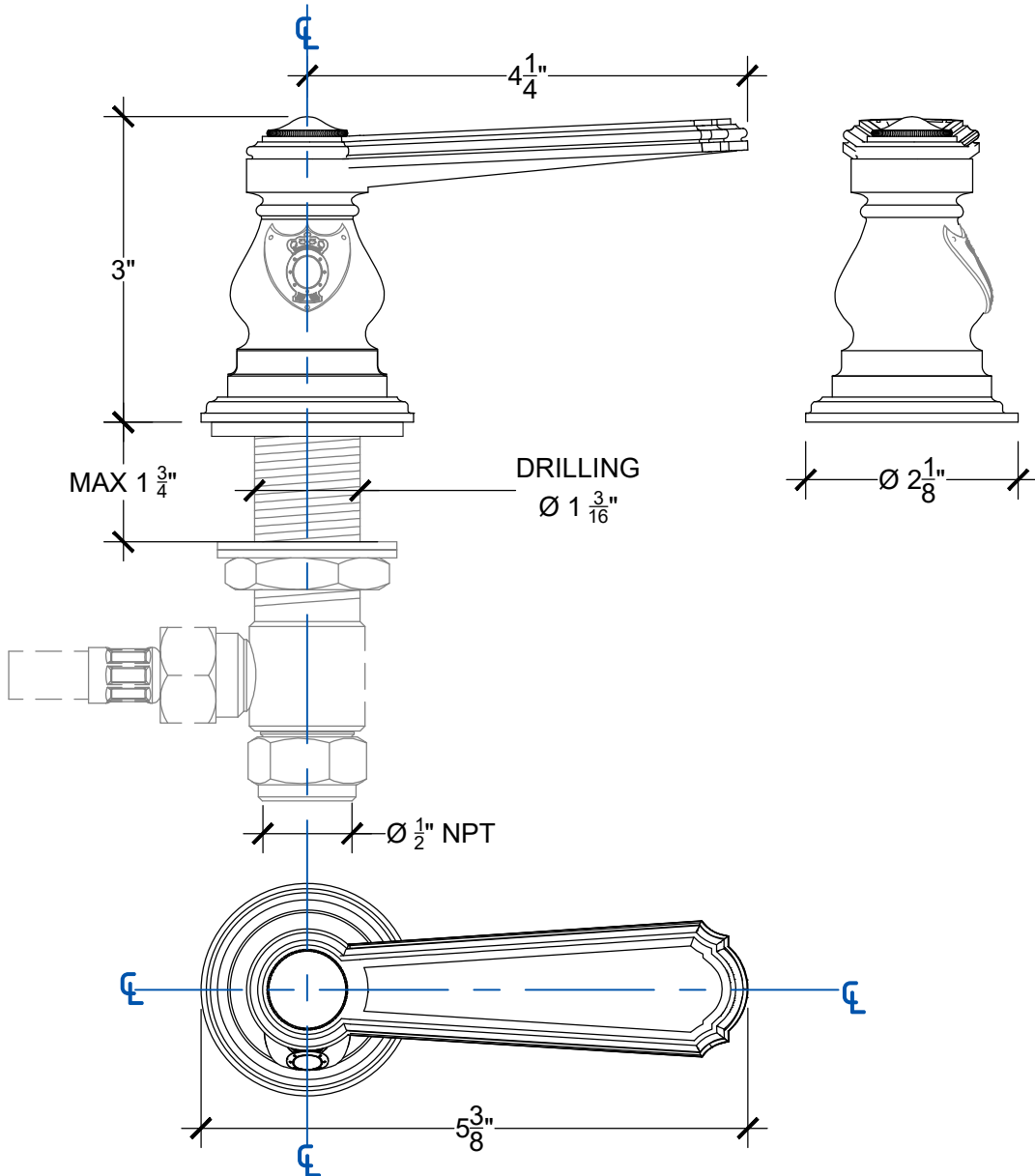


VILLA 1/2"

(Shield Optional)

Deck mounted lever handle 1/2" NPT
Right Handle Lever Ref # 09506720
Left Handle Lever Ref # 09506721



Copyright © Compas 2010 www.compassstone.com

 COMPAS™