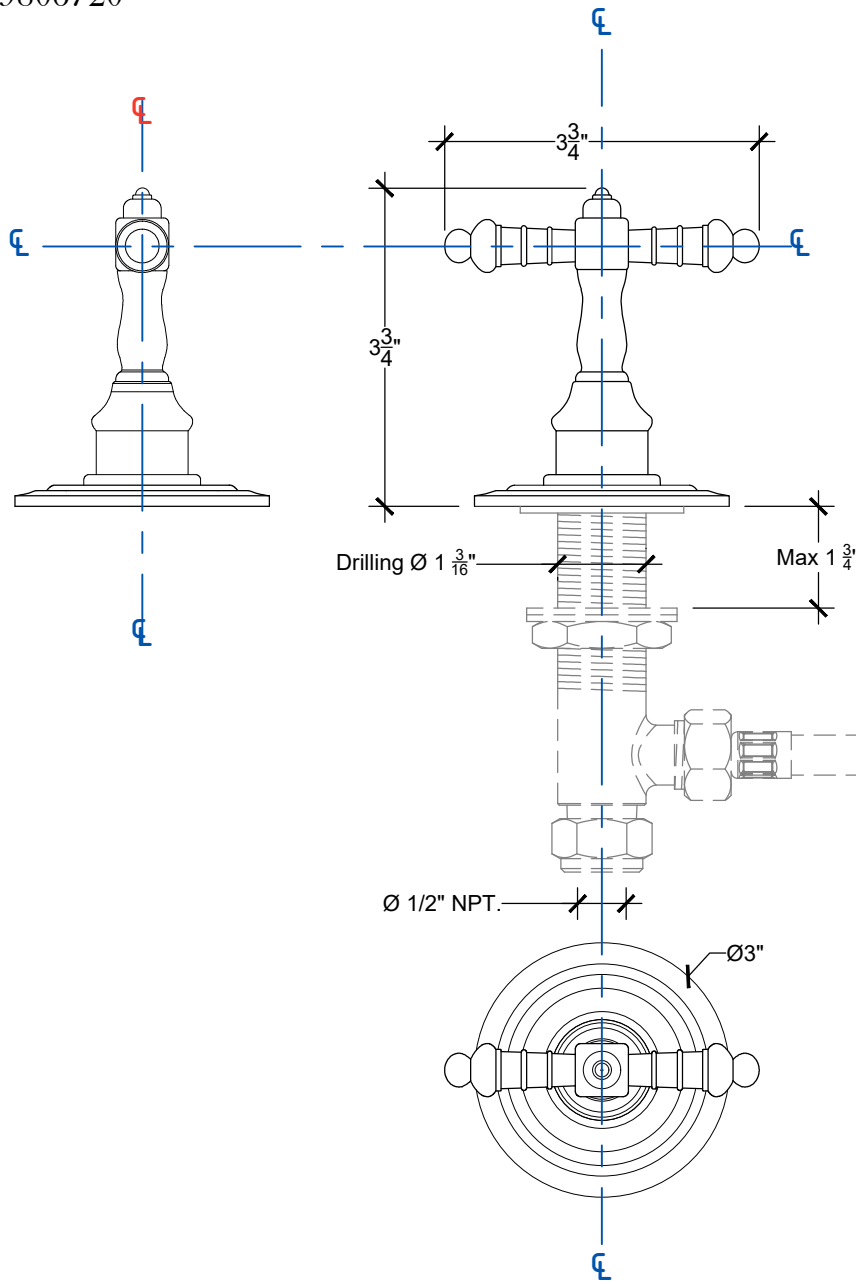




# VENDOME $\frac{1}{2}$ "

Deck mounted Vendome Handle  
Ref # 09806720



Copyright © Compass 2010 [www.compassstone.com](http://www.compassstone.com)

 COMPAS™