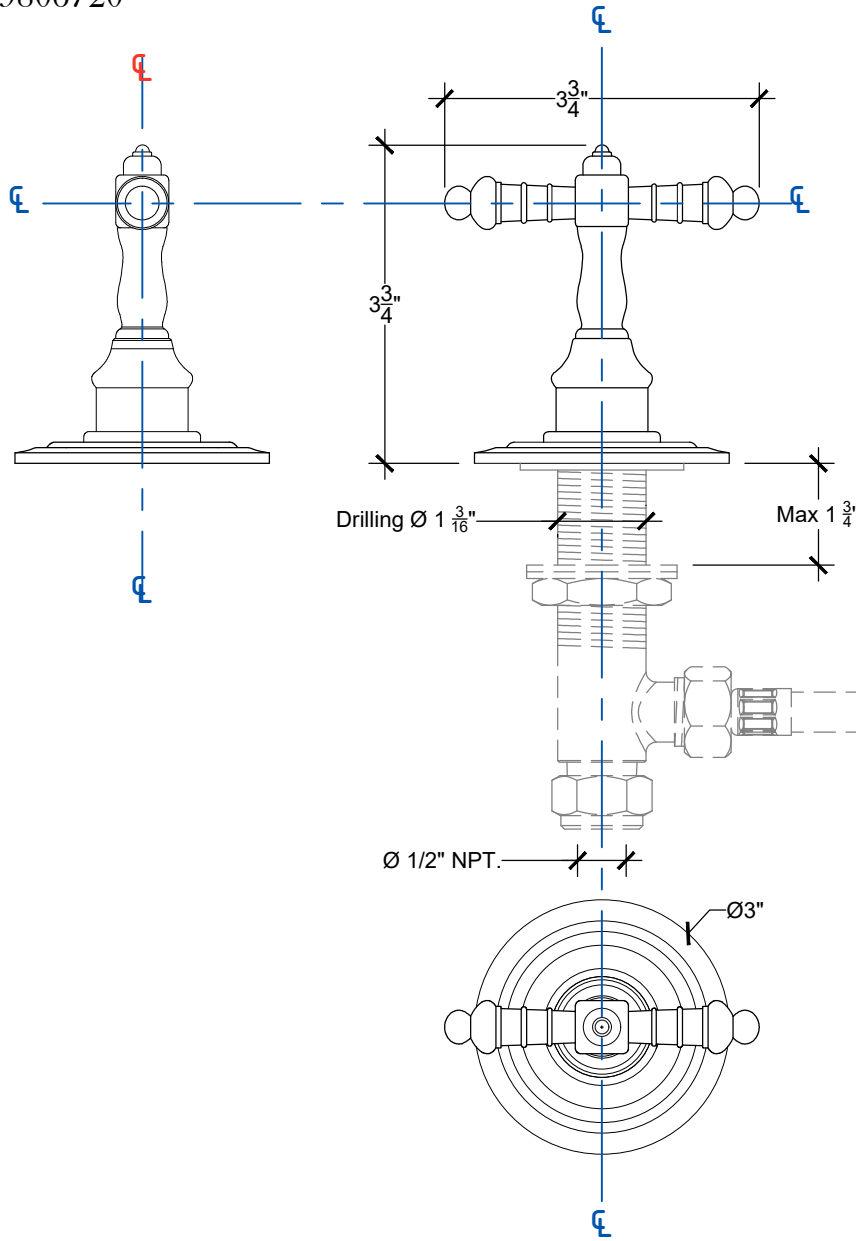


# VENDOME 1/2"

k mounted handle Vendome - 1/2" NPT

Montage sur plan - Poignée Vendome - 1/2" NPT

Ref # 09806720



Copyright © Compas 2010 [www.compassstone.com](http://www.compassstone.com)

 COMPAS™