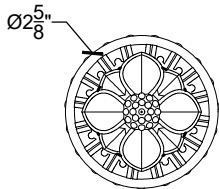


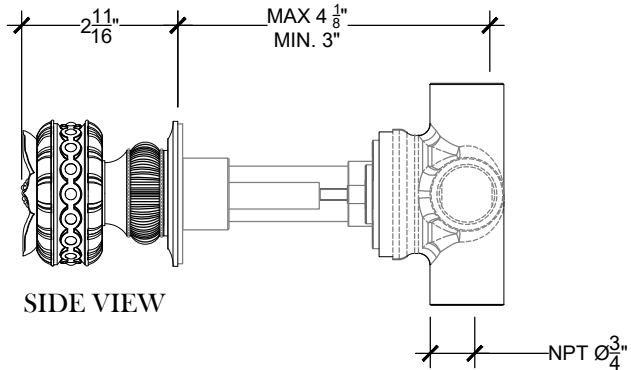
TUDOR

2 WAY DIVERTER

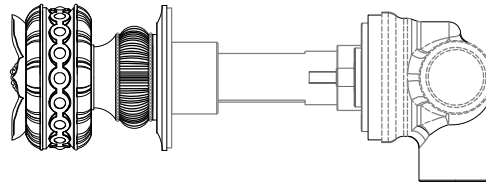
Wall mounted 2-Way Diverter - 3/4" NPT
Facade d'inverseur - 3/4" NPT
Ref # 08906602



FRONT VIEW



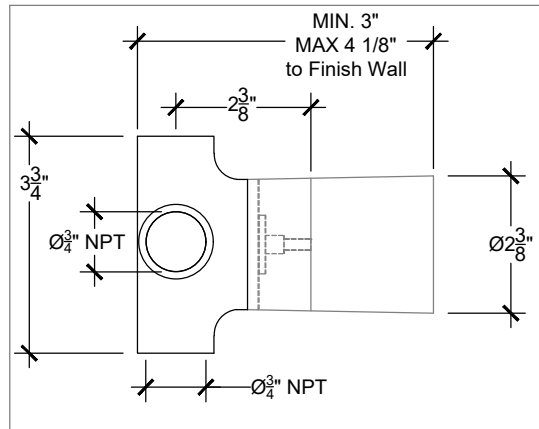
SIDE VIEW



TOP VIEW

NOTE
2 way diverter must be used in combination
with a valve that has a volume control
(ON | OFF) position.

1 way water supply
2 way out supplies to other components



Copyright © Compas 2010 www.compassstone.com

