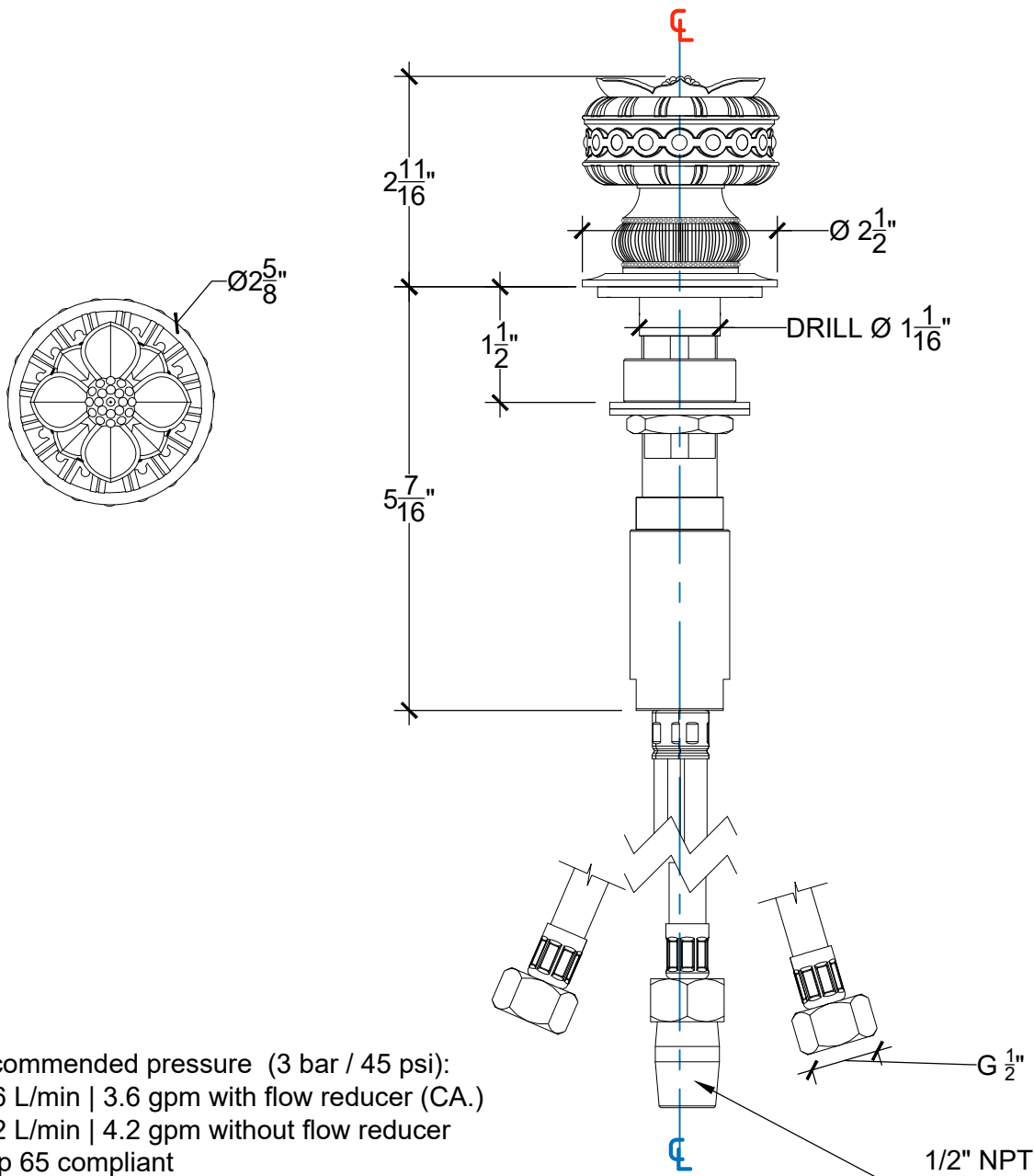


# TUDOR

ROTARY MIXER

Deck mounted rotary mixer - G  $\frac{1}{2}$ "

Ref # 08906121



Copyright © Compas 2010 www.compasstone.com

Recommended pressure (3 bar / 45 psi):  
13.6 L/min | 3.6 gpm with flow reducer (CA.)  
16.2 L/min | 4.2 gpm without flow reducer  
Prop 65 compliant

# COMPAS