

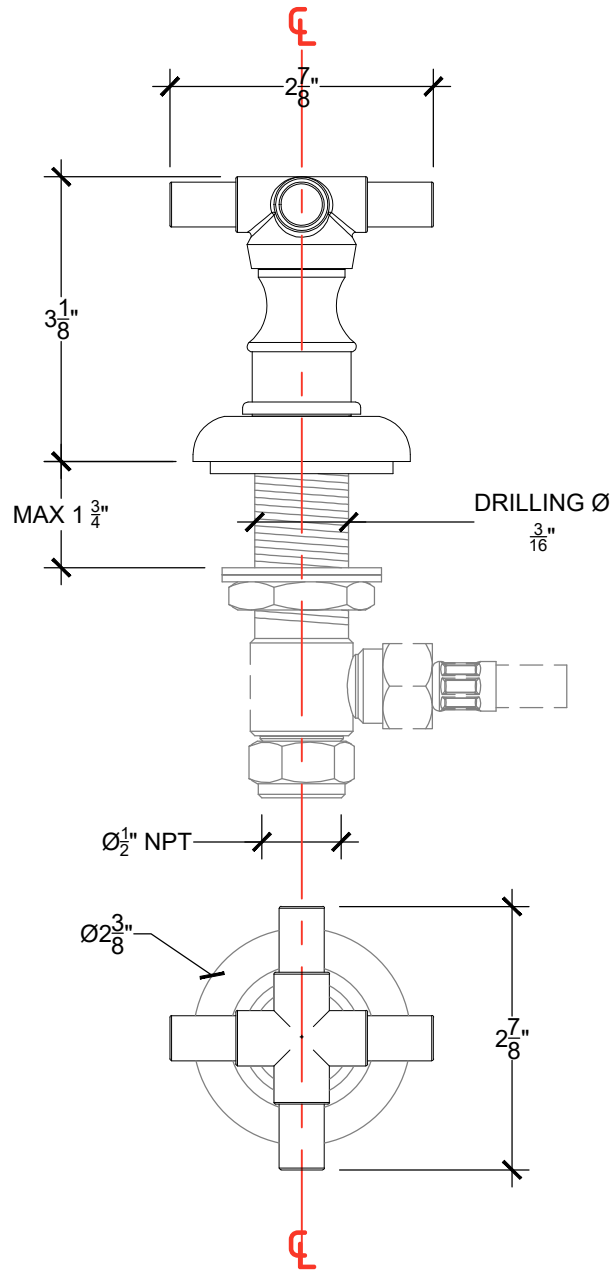


# STUART 1/2"

Deck mounted handle 1/2" NPT

Montage sur plan - Levier Stuart - 1/2" NPT

Ref # 08606720



Copyright © Compas 2010 [www.compasstone.com](http://www.compasstone.com)

 COMPAS™