

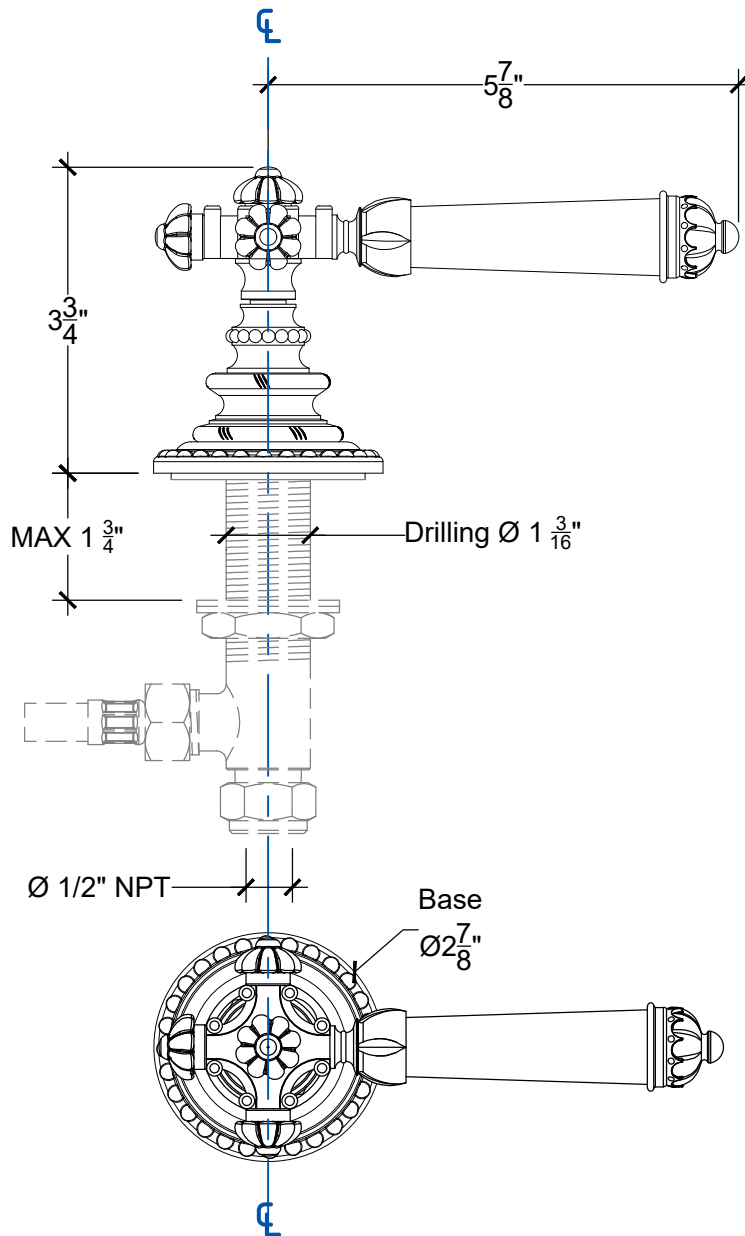
# SEGOVIA 1/2"

Deck mounted lever - 1/2" NPT

Montage sur plan - Levier Ségovia - 1/2" NPT

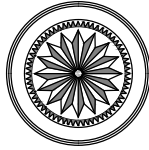
Right lever Ref # 08406720

Left lever Ref # 08406721



Copyright © Compas 2010 [www.compassstone.com](http://www.compassstone.com)

 COMPAS™



SEGOVIA  
SEGOVIA MIRAMARE  
LEVER HANDLE TYPOLOGY



ROCK CRYSTAL



MURANO GLASS

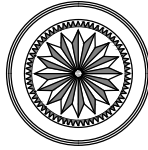


ALL METAL

Copyright © Compas 2010 [www.compasstone.com](http://www.compasstone.com)

 COMPAS™

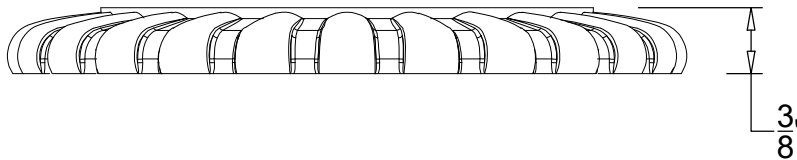
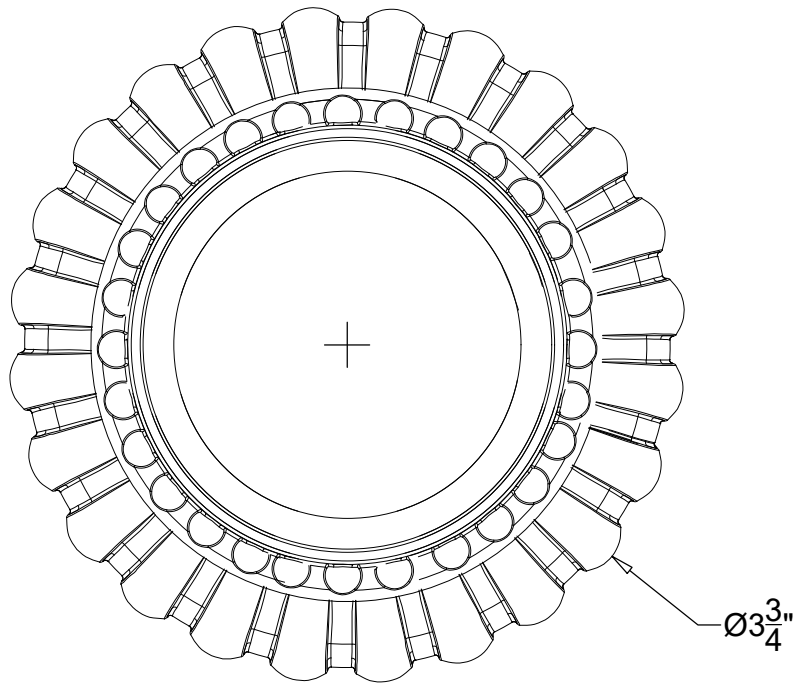
Revised 03-10-2022



# MIRAMARE

## BACK PLATE

Miramare back plate for Segovia deck and wall mounted lever handles  
Back plate accommodates 1/2" & 3/4" lever handles



Copyright © Compass 2010 www.compassstone.com

