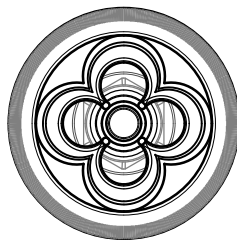
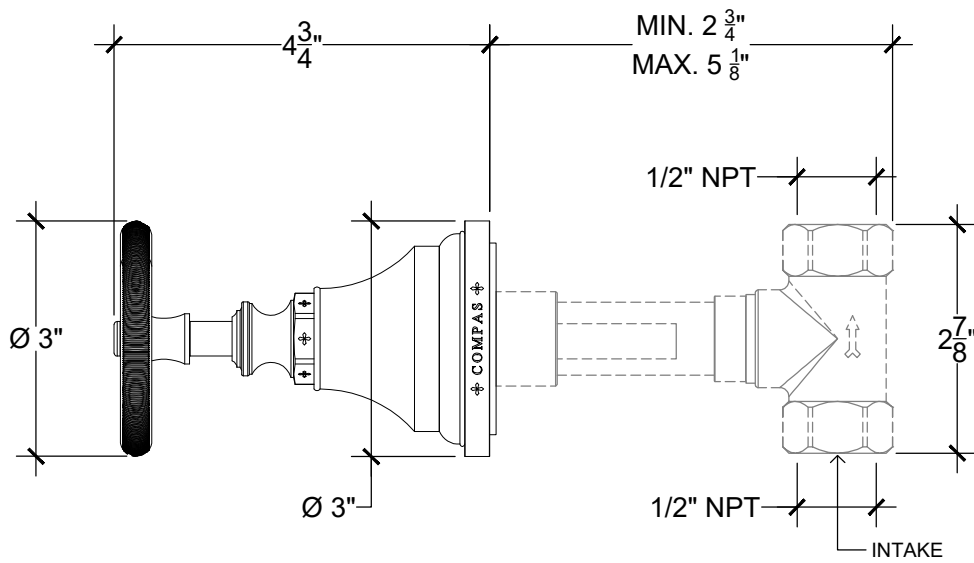




QUADROLOBE

Quadrolobe wall mounted handle 1/2" NPT
Facade murale encastrée - 1/2" NPT
Ref# 02106730



* Also Available in ³/₄" NPT

Copyright © Compas 2010 www.compassstone.com

 COMPAS™