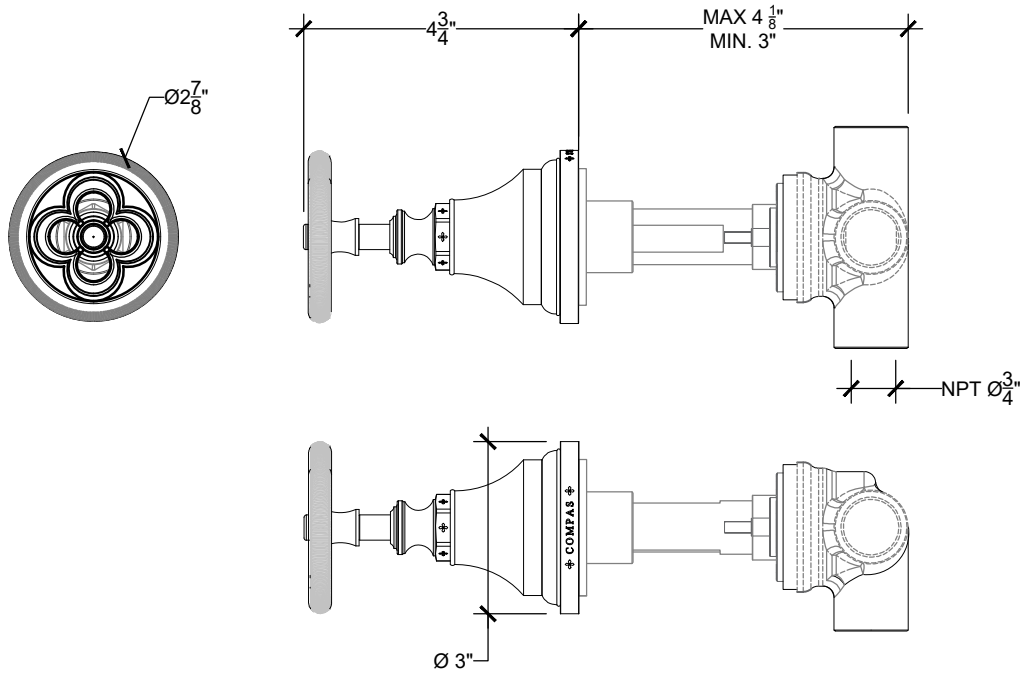


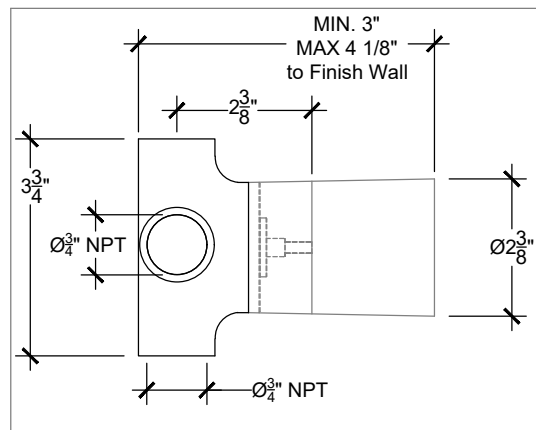
# QUADROLOBE

Wall mounted Quadrolobe Diverter for Shower -  $\frac{3}{4}$ " NPT  
Facade D'inverseur 2-points -  $\frac{3}{4}$ " NPT  
Ref. # 2106602



**NOTE**  
2 way diverter must be used in combination  
with a valve that has a volume control  
(ON | OFF) position.

1 way water supply  
2 way out supplies to other components



\* 2-Way Diverter: 15984181

Copyright © Compas 2010 www.compassstone.com

 COMPAS™