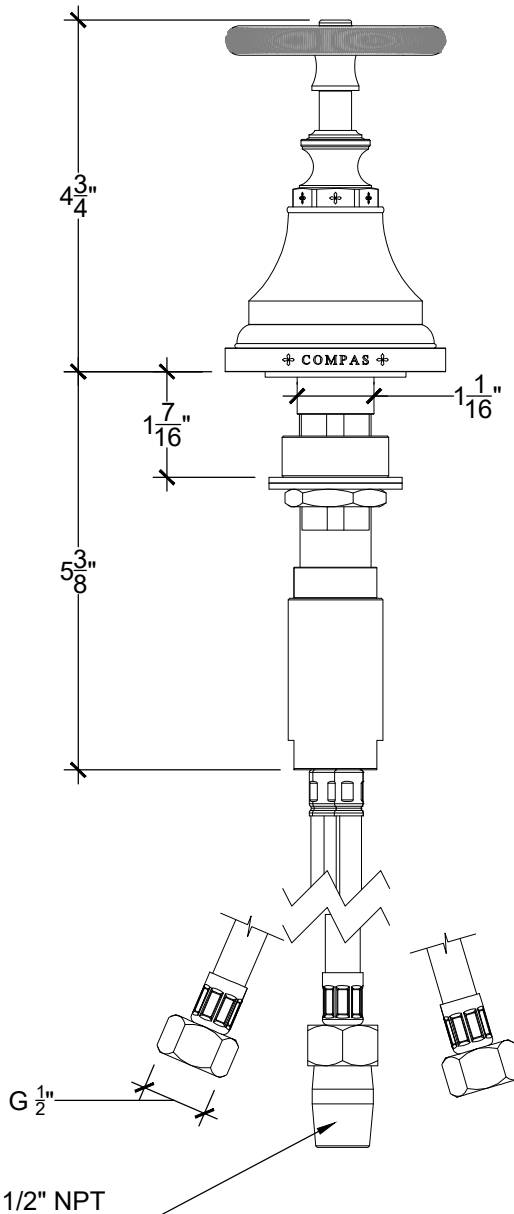
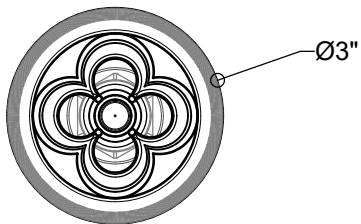


QUADROLOBE

Deck mounted Quadrolobe rotary mixer - G 1/2" -
Mitigeur monocommande sur gorge
Ref #: 2106121

To be use with
Quadrolobe hand held.



Copyright © Compas 2010 www.compasstone.com

Recommended pressure (3 bar / 45 psi):
13.6 l/min / 3.6 gpm with flow reducer (CA.)
16.2 l/min / 4.2 gpm without flow reducer
Prop 65 compliant

 COMPAS™