

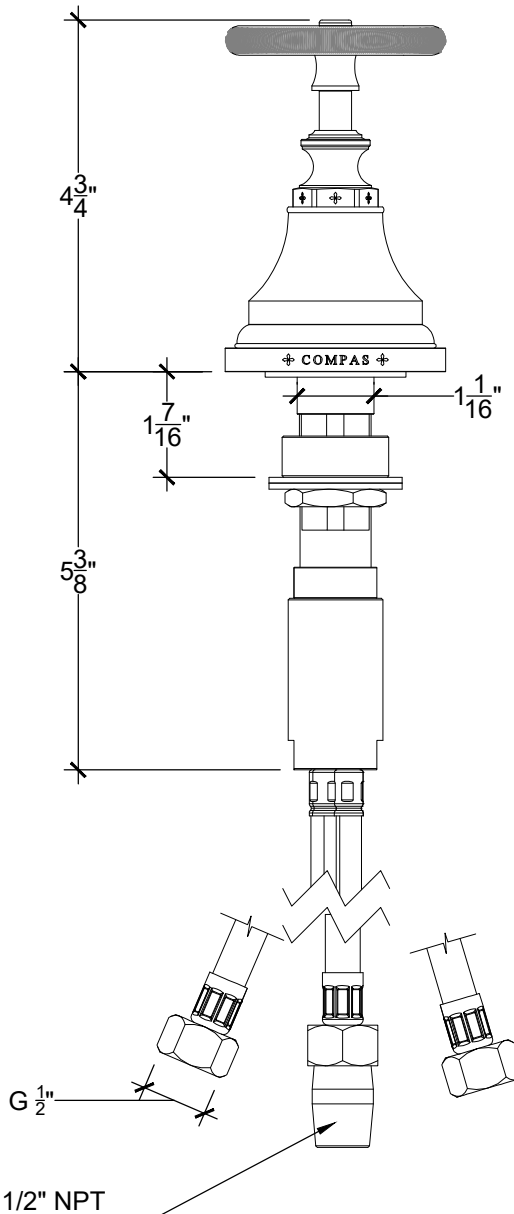
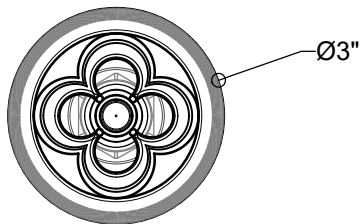
QUADROLOBE

Deck mounted Quadrolobe rotary mixer - G 1/2"

Montage sur plan - Mélangeur rotatif - G 1/2"

Ref #: 02106121

To be use with
Quadrolobe hand held.



Recommended pressure (3 bar / 45 psi):
13.6 l/min / 3.6 gpm with flow reducer (CA.)
16.2 l/min / 4.2 gpm without flow reducer
Prop 65 compliant

Copyright © Compas 2010 www.compasstone.com

 COMPAS™