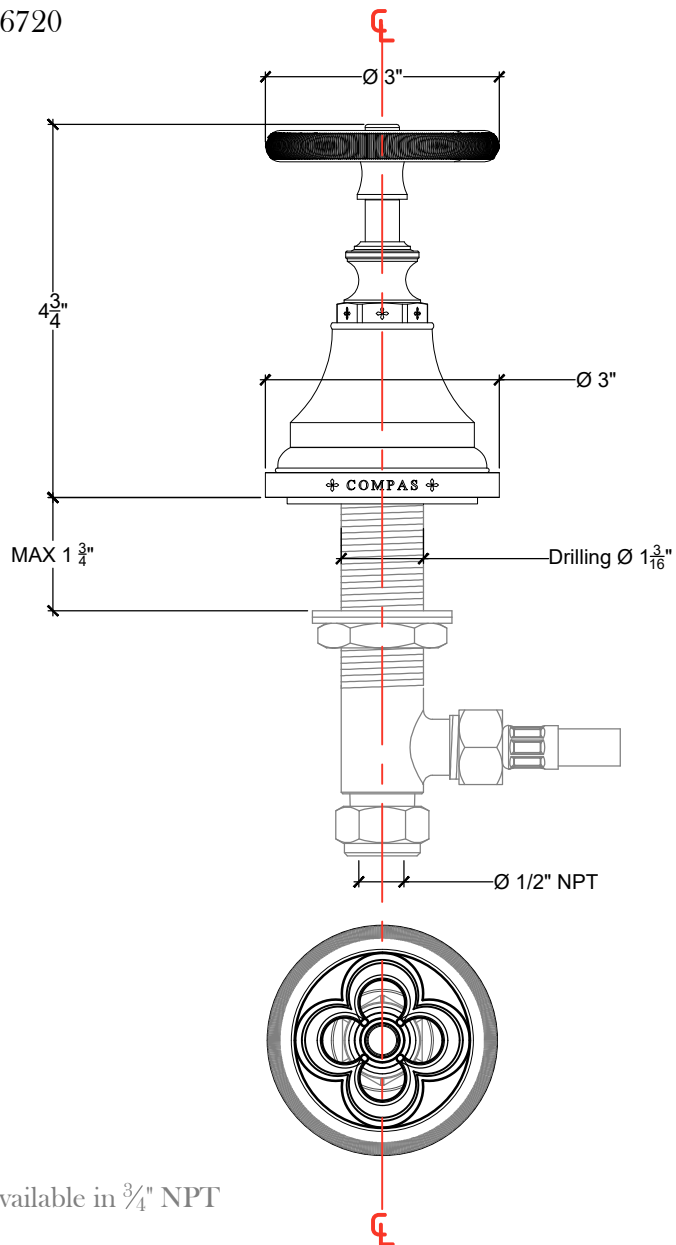


QUADROLOBE

Deck mounted handle - 1/2" NPT

Montage sur plan - Levier Quadrolobe - 1/2" NPT

Ref # 02106720



Copyright © Compas 2010 www.compassstone.com

 COMPAS™