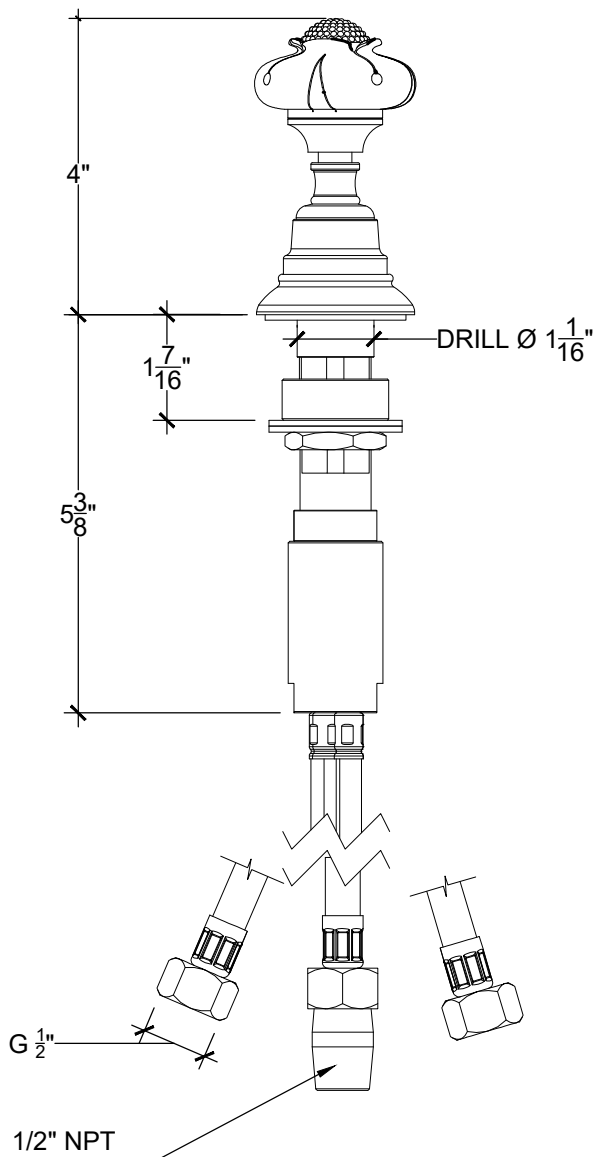
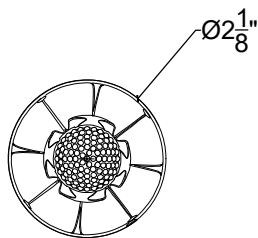


LOTUS MIXER

Deck mounted rotary mixer - G 1/2" -
Mitigeur monocommande sur gorge
Ref # 01406121



Recommended pressure (3 bar / 45 psi):
13.6 l/min / 3.6 gpm with flow reducer (CA.)
16.2 l/min / 4.2 gpm without flow reducer

Copyright © Compas 2010 www.compasstone.com

 COMPAS™

REVISED 01-27-2022