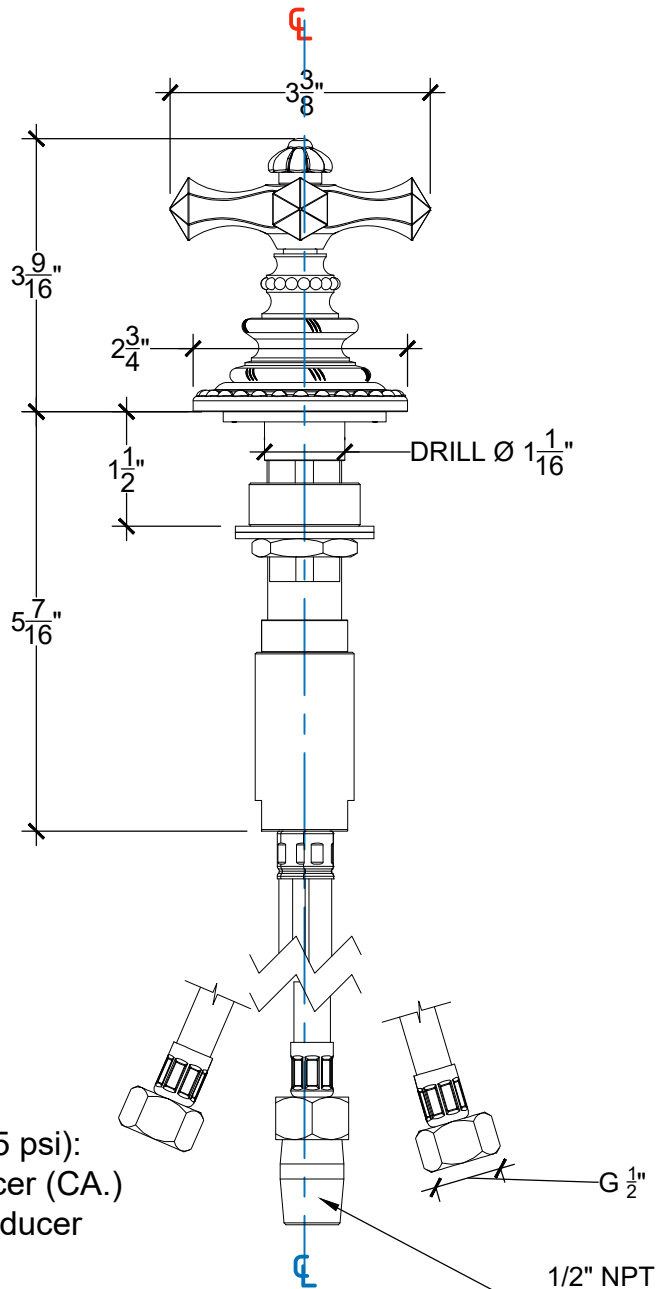
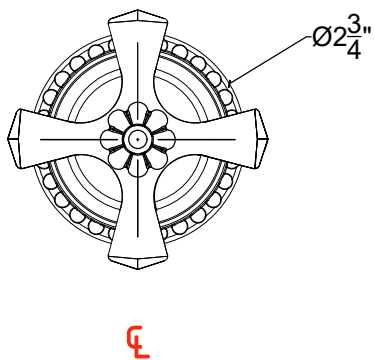


ESTRELLA

ROTARY MIXER

Deck mounted rotary mixer - G $\frac{1}{2}$ "
Ref # 10306121



Recommended pressure (3 bar / 45 psi):
13.6 L/min | 3.6 gpm with flow reducer (CA.)
16.2 L/min | 4.2 gpm without flow reducer
Prop 65 compliant

Copyright © Compas 2010 www.compasstone.com

