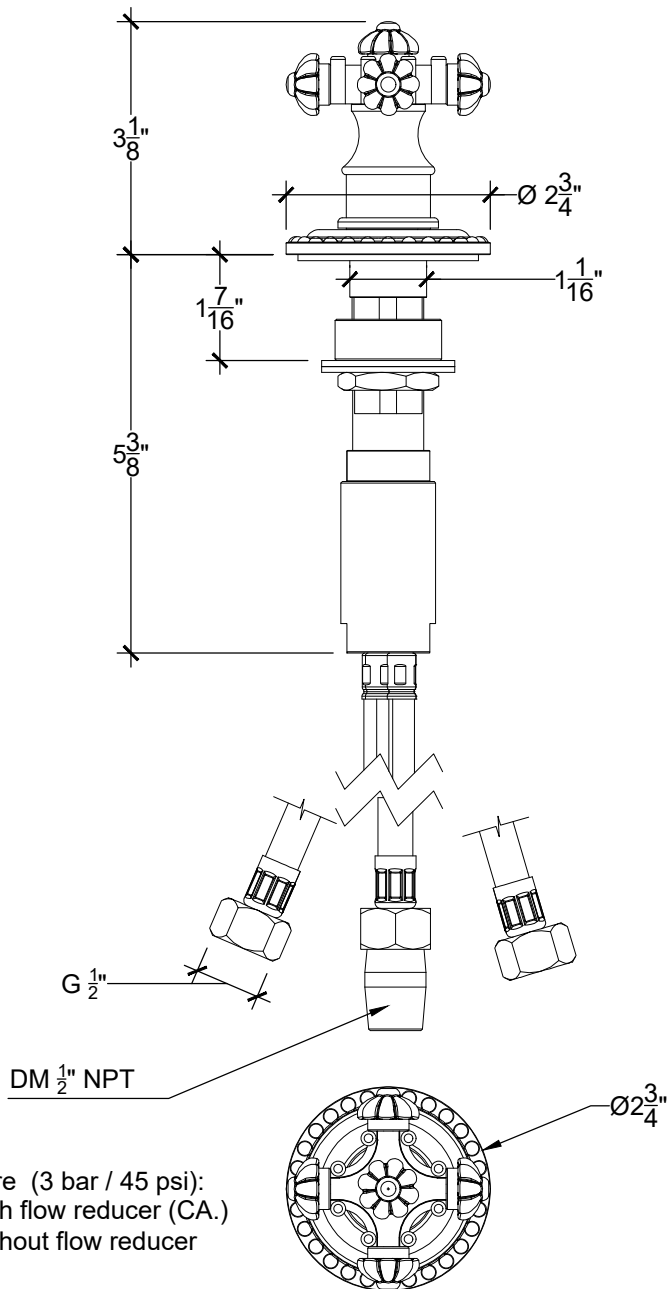


CRUCIFORM

Deck mounted Cruciform rotary mixer - G 1/2" -
Montage sur plan - Mélangeur rotatif - G 1/2"
Ref #: 08506121



Recommended pressure (3 bar / 45 psi):
13.6 l/min / 3.6 gpm with flow reducer (CA.)
16.2 l/min / 4.2 gpm without flow reducer
Prop 65 compliant