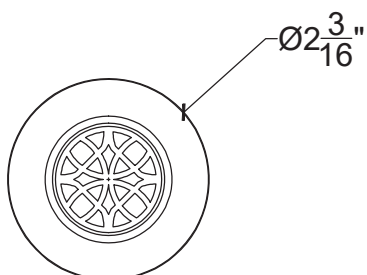
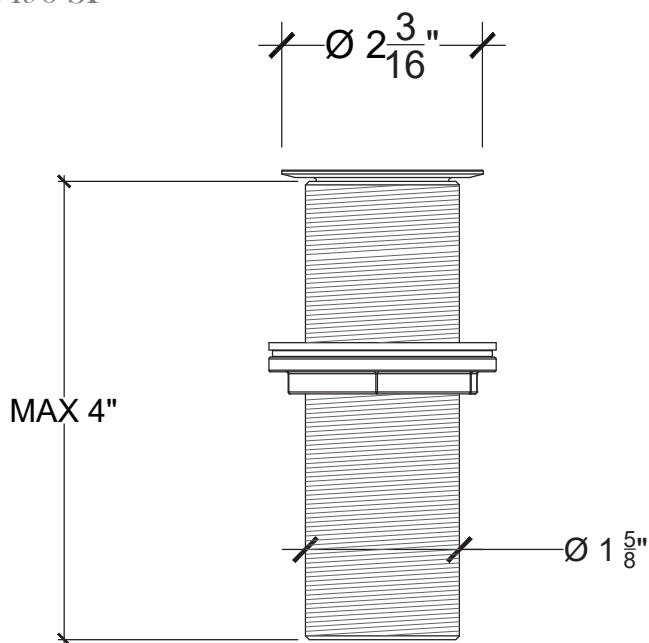




## PLAIN DRAIN

Plain Drain - [ NO OVERFLOW ]  
Bonde de lababo  
Ref #: 13205496-SP



\* DRILLING =  $\text{Ø } 1 \frac{3}{4}''$