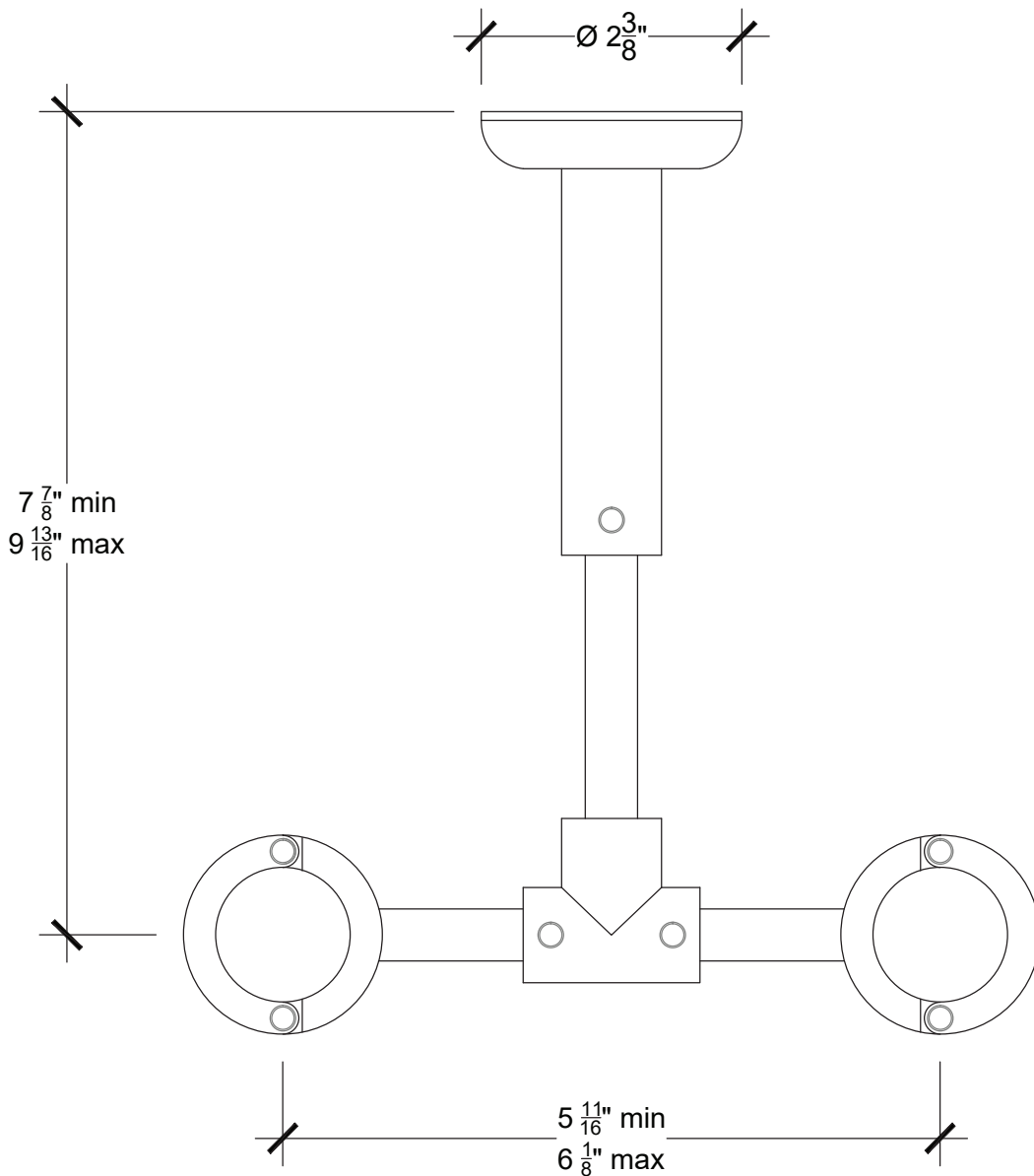


BRACKET

Floor mounted tub filler adjustable bracket (only for wall mount application)
Style # 6001266-20-25



Copyright © Compas 2010 www.compassstone.com

COMPAS